

Vino Rails Design Kit 3 Layout

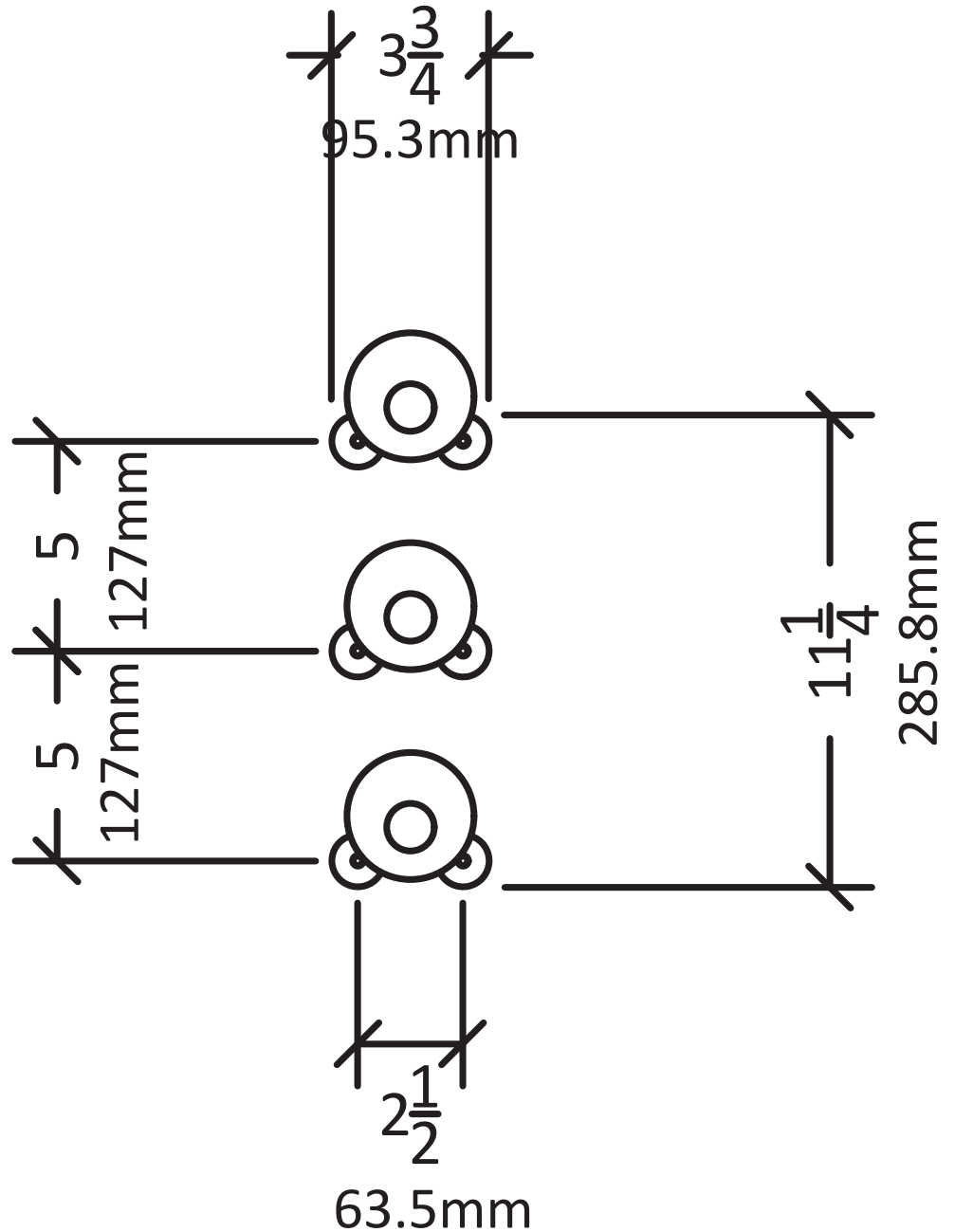
Recommended layout/Specs for Vino Rails Design Kit (VRC-DESIGN-3)



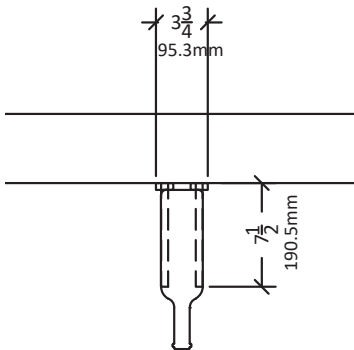
SCAN FOR **BILT**. 3D INSTRUCTIONS



POWERED BY **BILT INTELLIGENT INSTRUCTIONS**®



Please **account for 13" in total depth** with wine bottle stored.



VINTAGEVIEW®
MOVING WINE STORAGE FORWARD

4690 Joliet St., Denver, CO 80239 | phone: 866.650.1500 | fax: 866.650.1501 | VintageView.com

For product warranty information, please visit: VintageView.com/support/warranty. We're here to help, call us at 866-650-1500 with any questions