

# Vino Series Post Elbow

Installation Instructions for FCP-ELBOW

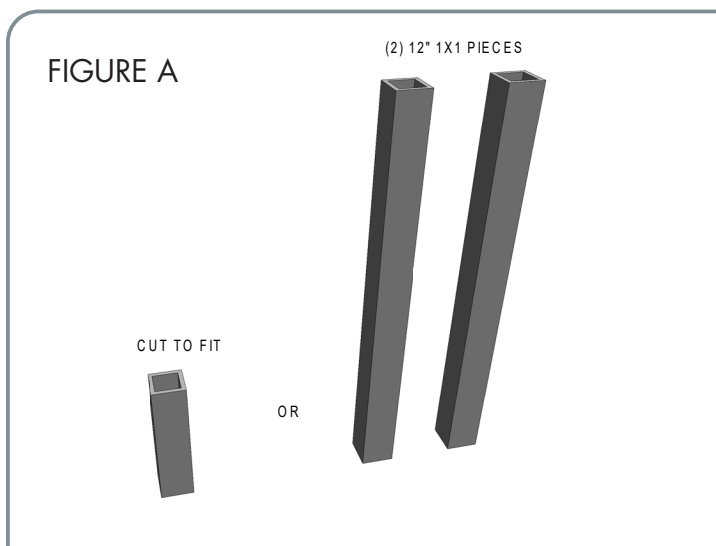


## Included

- (2) FCP-ELBOW
- (4) Self drilling metal screws

## Required

- Phillips head screwdriver or drill bit
- Level
- 1.5x1.5 Tube Steel ("Drop")
- Hidden Base Plates (FCP-HID)
- Vino Series Post, Vino Series Post Mounting Plates, Vino Series racks

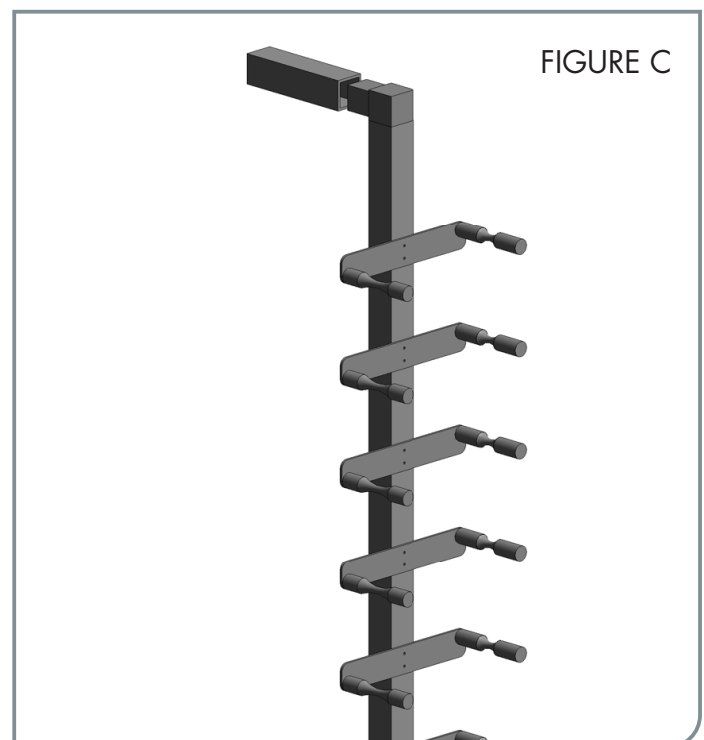
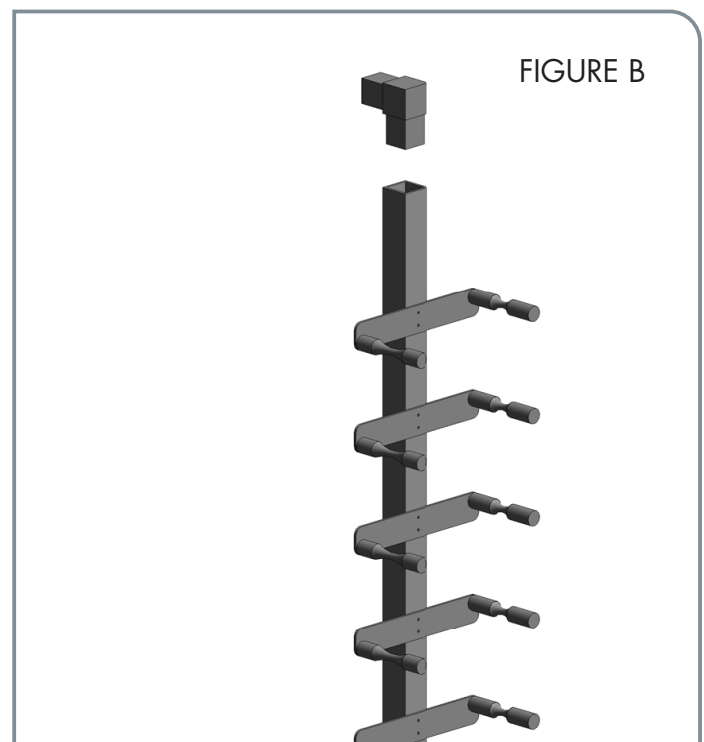


**1. Build the Frame:** Assemble the Vino Series Post system (not included) per its included instructions.

**2. Cut 1.5x1.5 Steel Tube to Fit:** Using leftover 1.5x1.5 tube steel from cutting your Vino Series Post — also known as "drop" — cut the appropriate length required for installation back to wall. **FIGURE A** If you don't have enough, or any drop, from your Vino Series Post, please contact VintageView to order 12" sections of matching 1.5x1.5 tube steel.

**PRO TIP:** When measuring from the wall to the front of a Vino Series Post, subtract 1 1/8" to get proper 1x1 measurement. If measuring from back of frame, subtract 1/8" for accurate measurement.

**3. Insert the Elbow:** Insert the Elbow into the constructed Frame system. Secure to the frame with the provided self-drilling screw. **FIGURE B**





**4. Insert Drop:** Inset 1.5x1.5 material into the open end of the Elbow. Secure to the material using the provided self-drilling screw. **FIGURE C**

**5. Insert Mounting Plate:** Insert a Vino Series Post Hidden bracket into the open end of the 1.5x1.5 material. **FIGURE D** Secure to the material using the provided self-drilling screw.

VintageView does not recommend use of Elbow with Angle Base Plates, nor can this configuration be used for top and bottom mounting on the same frame (wall-to-wall).

**6. Attach to Wall:** Stand the complete assembly up. Level and attach to the wall via the base plate. **FIGURE E**

**7. Connect to Floor:** Secure the complete assembly to the floor. **FIGURE F**

## IMPORTANT NUMBERS

Maximum distance to bridge from wall:

- Elbow from top of frame: 12"
- Elbow from bottom of frame: 6"



FIGURE D

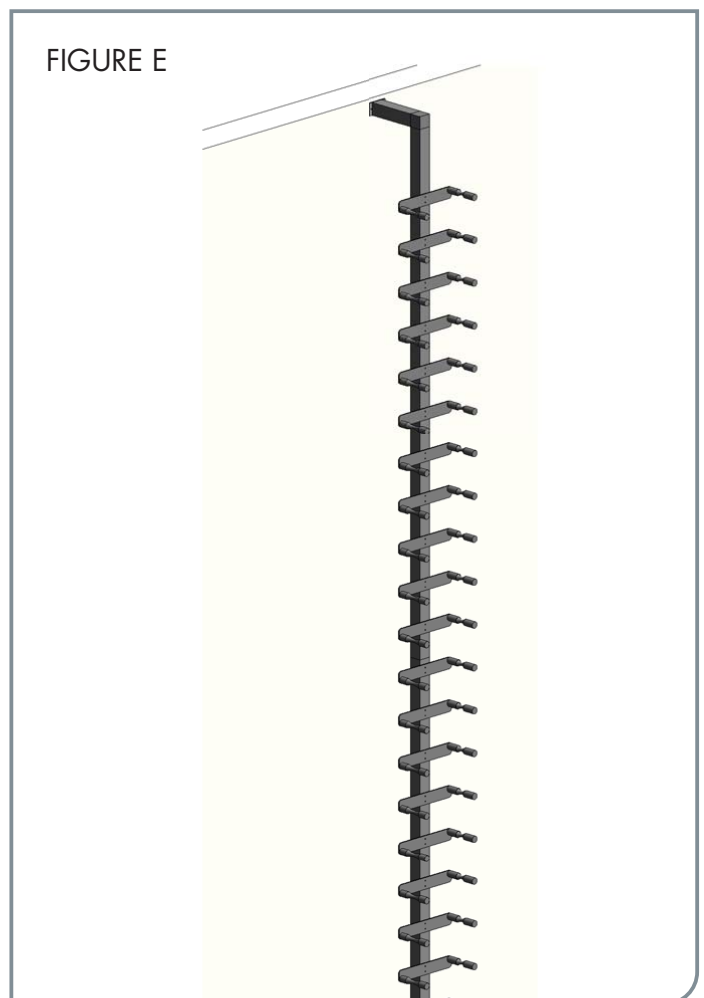


FIGURE E

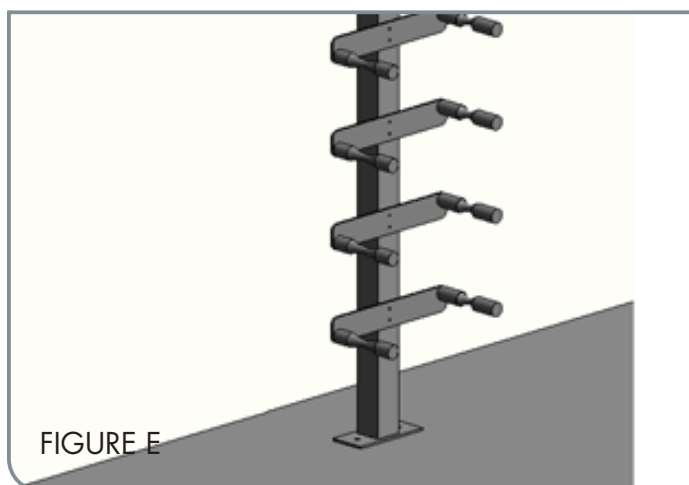


FIGURE E

