

Vino Series Post Standoff Bracket

Installation Instructions for FCP-2WB



Starter Kit Included Parts

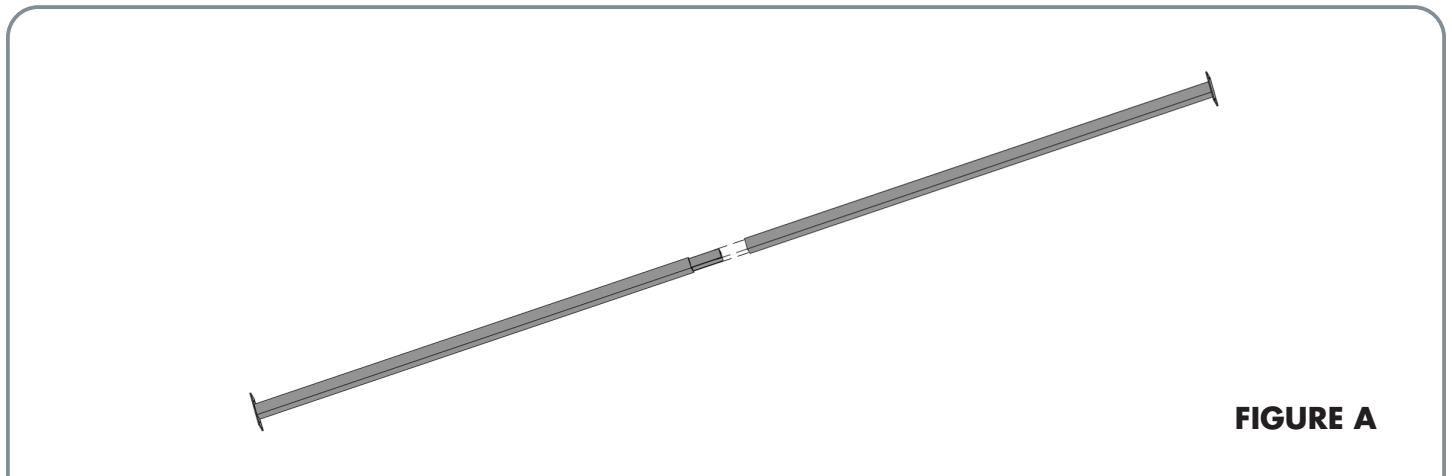
- (1) Vino Series Post Standoff Piece
- (1) Self-drilling metal screw

Required Tools

- Phillips Head Driver
- Drill
- Level
- Metal Cutting Saw
- Tape Measure
- Metal File
- Pencil

Floor/Ceiling Fasteners: There are pre-drilled mounting holes in each Standoff Bracket. Appropriate fasteners for your surface must be utilized in every mounting hole for proper installation. Fasteners for attaching the Post to the floor or ceiling are not. We recommend the following fasteners for these surfaces:

- Drywall installations should attach to joists or wood backing when available with a #8 X 1½" course thread screw or larger alternatively, use expanding hollow wall anchors with at least #8 screw size
- Wood surfaces use #8 X 1¼" course thread screws or larger
- Concrete, Brick or Stucco: 3/16" x 1¼" masonry screw or #8 x 1¼" screw with appropriate size expanding concrete anchor



1. Build the Post: Connect the two pieces of the Post by sliding the section with the steel c-channel into the opposite end.

FIGURE A

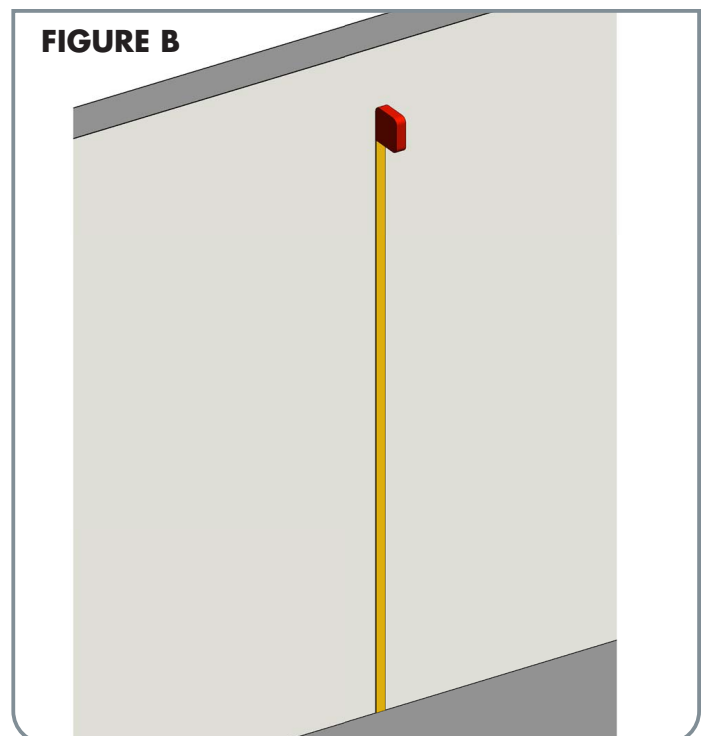
2. Measure: Measure the distance from the floor to the centerline where the wall bracket will attach. Add 3/8" (9.5mm) to allow for the thickness of the bottom mounting plate and the offset of the wall bracket. Mark the calculated distance of the Post on the side nearest the Base Plate you are replacing.

FIGURE B

3. Cut the Post: Using a reciprocating saw, band saw, or hack saw with the appropriate blade; squarely cut the Post at the mark from Step 2. With a metal file, carefully remove any resulting burrs from the cuts.

FIGURE C

Pro-Tip: An abrasive cut-off saw should not be used, as



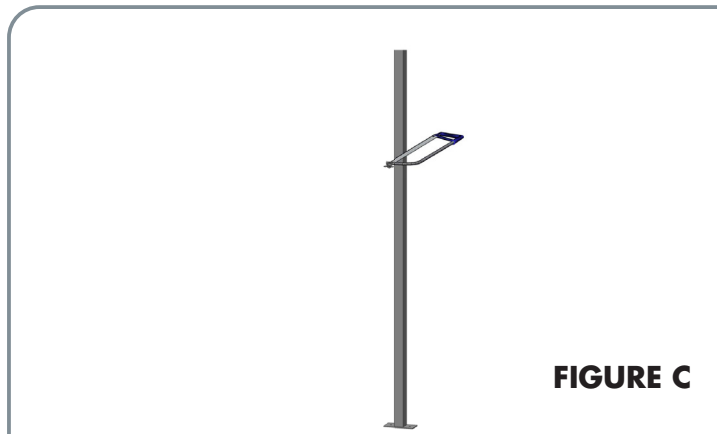


the heat generated is likely to damage the finish of the Vino Series Post.

4. Assemble & Attach Mounting Plates:

Connect the Vino Series racking to mounting plates. Connect each mounting plate to the Post. More details of this process are provided in the Vino Series Post installation instructions.

FIGURE D



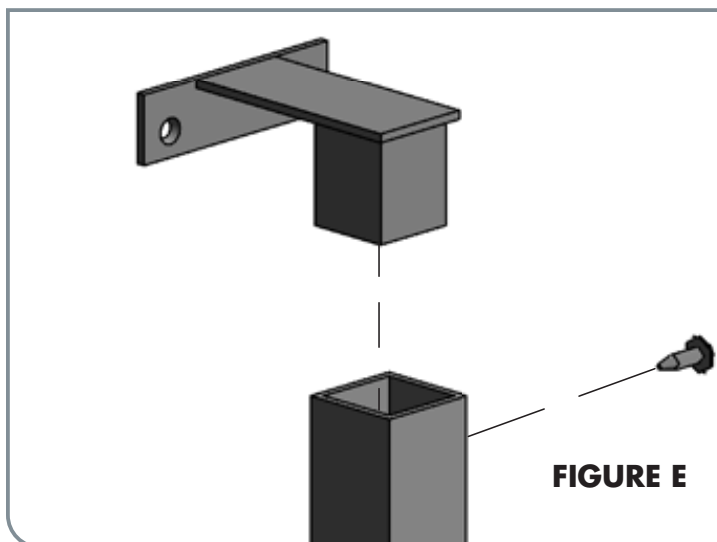
5. Insert the mounting plates

Slide the C-channels of the Standoff Bracket into the open end of Post, ensuring that it is seated flush against the horizontal plate. Then, install the wall bracket and secure with provided self-drilling screw through the side of the Post.

FIGURE E

6. Install the Post

Position the assembled Post, ensuring it is plumb both front to back and side to side using a level, and fasten



at the top through all available mounting holes. Then, secure the bottom of the Post through the holes in the mounting plates. *Hardware to connect to floor and ceiling is not included. Please reference hardware guidelines at beginning of instructions.*

FIGURE F

7. Add Wine

Only the good stuff.

