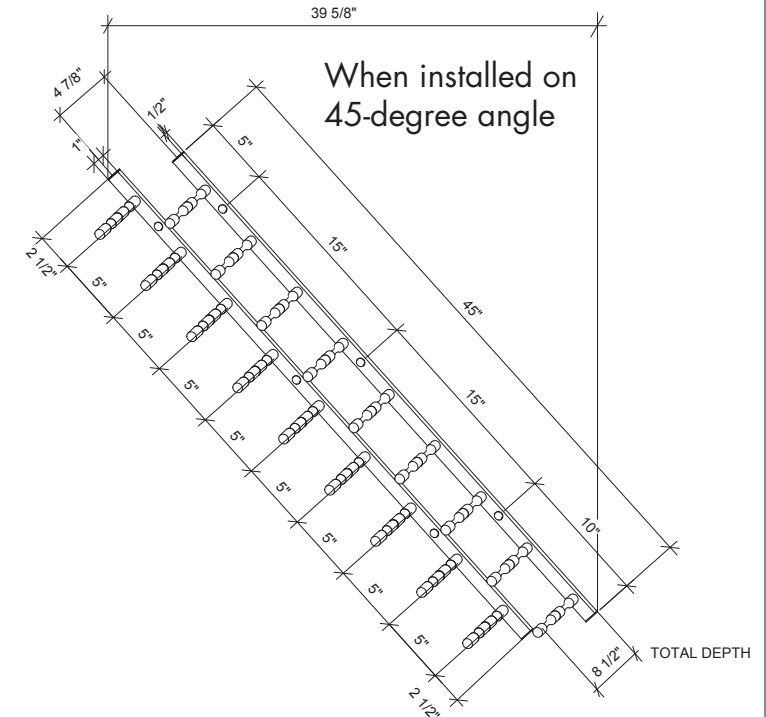
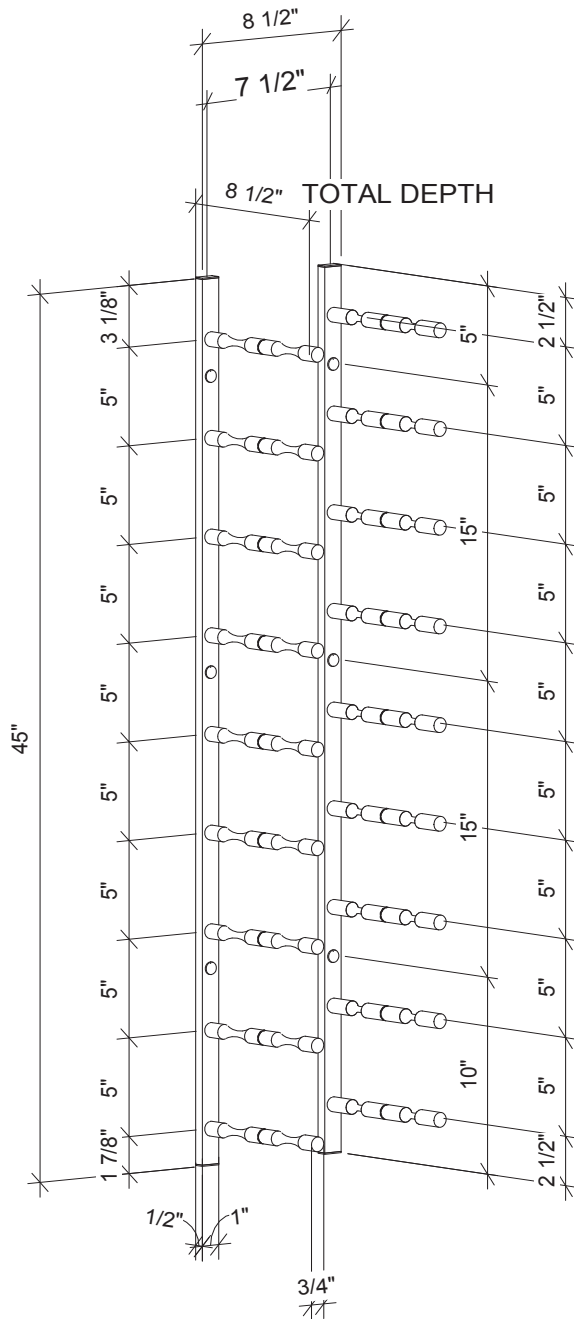


# Vino Pins Flex

Spec sheet for VP-FLEX2, 18-bottle wine rack system



When installed on 45-degree angle

Allow 13" width when bottles stored



**VINTAGEVIEW**<sup>®</sup>  
MOVING WINE STORAGE FORWARD

4690 Joliet St., Denver, CO 80239 | phone: 866.650.1500 | fax: 866.650.1501 | [VintageView.com](http://VintageView.com)

For product warranty information, please visit [vintageview.com/warranty](http://vintageview.com/warranty)