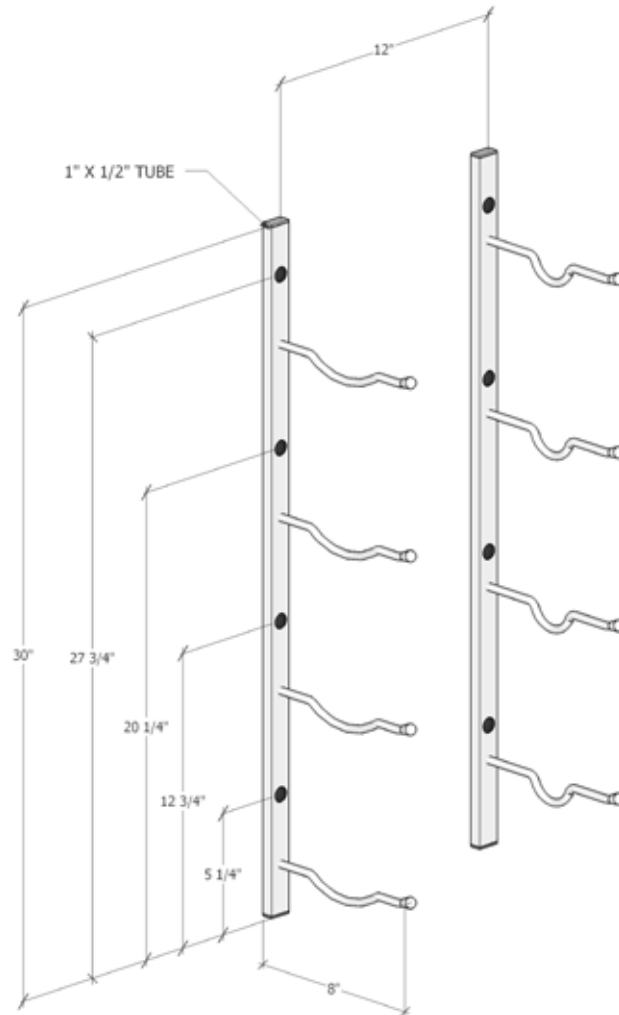


# W Series Big 1

Spec sheet for WS-Big1 , 4-bottle wine rack



The W Series Big 1 holds 4 3L or 6L wine bottles. Increase spacing to 13.25" for 6L bottles.



**VINTAGEVIEW®**  
MOVING WINE STORAGE FORWARD

4690 Joliet St., Denver, CO 80239 | phone: 866.650.1500 | fax: 866.650.1501 | [VintageView.com](http://VintageView.com)

For product warranty information, please visit [vintageview.com/warranty](http://vintageview.com/warranty)