

Vino Series Post

Installation instructions for VS-FCP products



Included:

- 1 62" Post with C-channel
- 1 62" Post top piece
- 96 Mounting Plate screws
- Drill bit

Add'l Parts:

- (sold separately)*
- Vino Series Mounting Plates with wine rack screws
 - Vino Pins or Vino Rails

Tools:

- Phillips head driver or drill
- Level
- Pencil
- Tape measure

- Metal cutting saw
- Metal file

Fasteners:

Fasteners for securing Mounting Plates to the Vino Series Posts are provided (self-drilling screws). Each mounting Plate is pre-drilled for installing Post. When installing finished Vino Series Post to the floor or ceiling, please use the following recommendations for fasteners:

- Drywall: Attach to joists or wood backing when available with a #8 X 1 1/4" course thread screw or larger or use expanding hollow wall anchors with at least #8 screw size
- Wood: Use #8 X 1 1/4" course thread screws or larger
- Concrete, Brick or Stucco: 3/16" x 1 1/4" masonry screw or #8 x 1 1/4" screw with appropriate size expanding concrete anchor

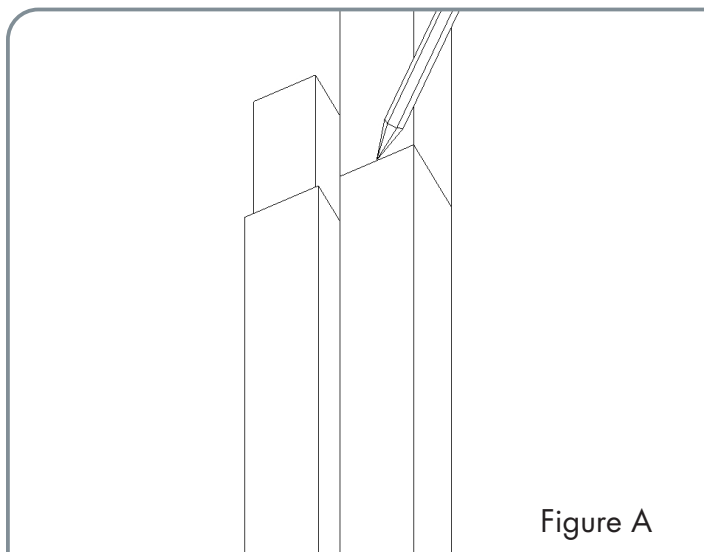


Figure A

1. Install Vino Pins/Rails to Mounting Plate:

Thread all Vino Pins or Rails to Plates using provided M6 screws. If installing Pins, ensure Plate is aligned with the neck side in the desired direction (higher of two mounting holes).

2. Measure ceiling height and mark Post:

Measure the ceiling height. Lay each section, interlaced, as shown above (Figure A). Position the Post so that the measurement from top to bottom of the base plates equals your ceiling height. Mark the top post section.

3. Cut Post: Using a reciprocating saw, band saw or hack saw, squarely cut Post at marks from Step 2 (Figure B).

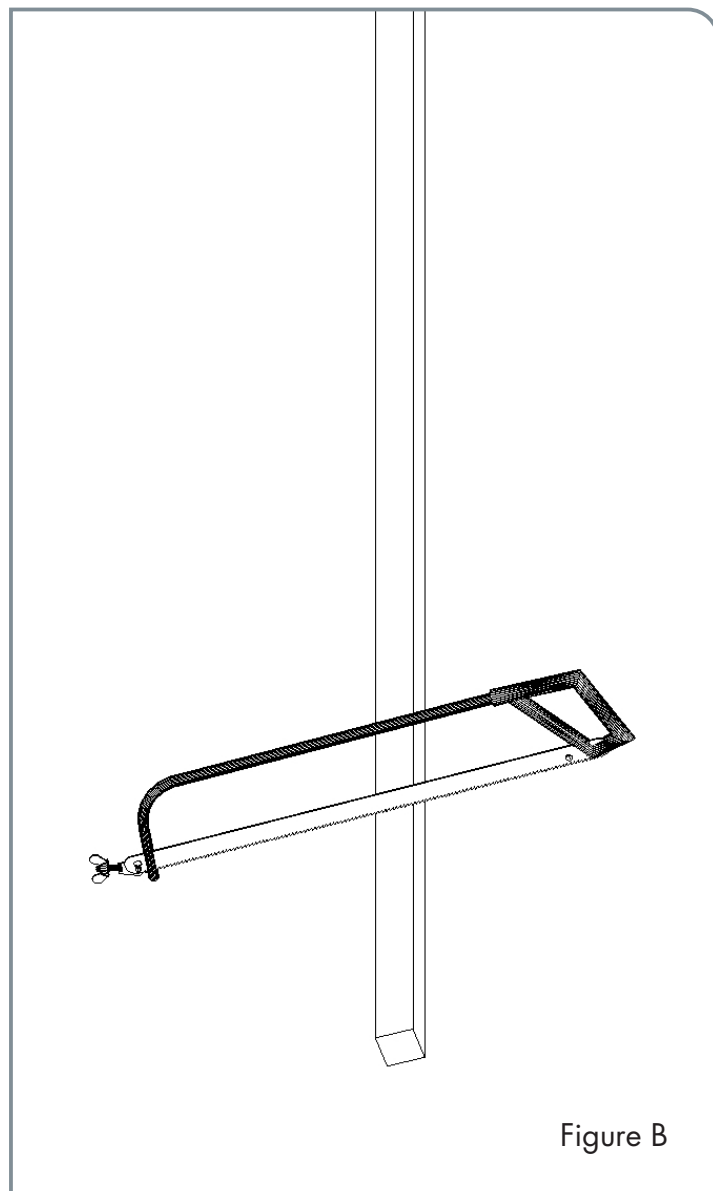


Figure B

Don't use abrasive saws as they may damage finish.

Instructions: Vino Series Post



3. Assemble the Post: Slide the two sections of the Post together. It may require a mallet to connect fully.

4. Install the Plates: Install all Mounting Plates with wine racks attached using provided self-drilling metal screws according to spacing in design. Ensure level. (Figure C)

For Vino Pins installations, ensure the neck side is facing in desired direction.

4. Install the System: Stand the Post and Plate combo in the desired location and ensure it is plumb both front-to-back and side-to-side using a level. Attach the mounting plate to the ceiling using the appropriate fasteners for the ceiling material (Figure D). Double check that the post is plumb with a level and secure the mounting plate to the floor.

5. Add Wine: Only the good stuff.

Pro Tip: If any of the Mounting Plates appear unlevelled after installation, loosen screws slightly and reposition using a rubber mallet.

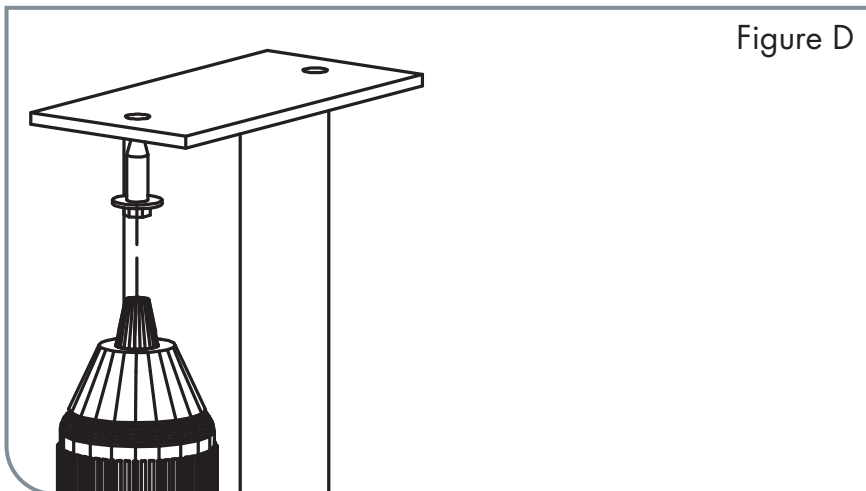


Figure D

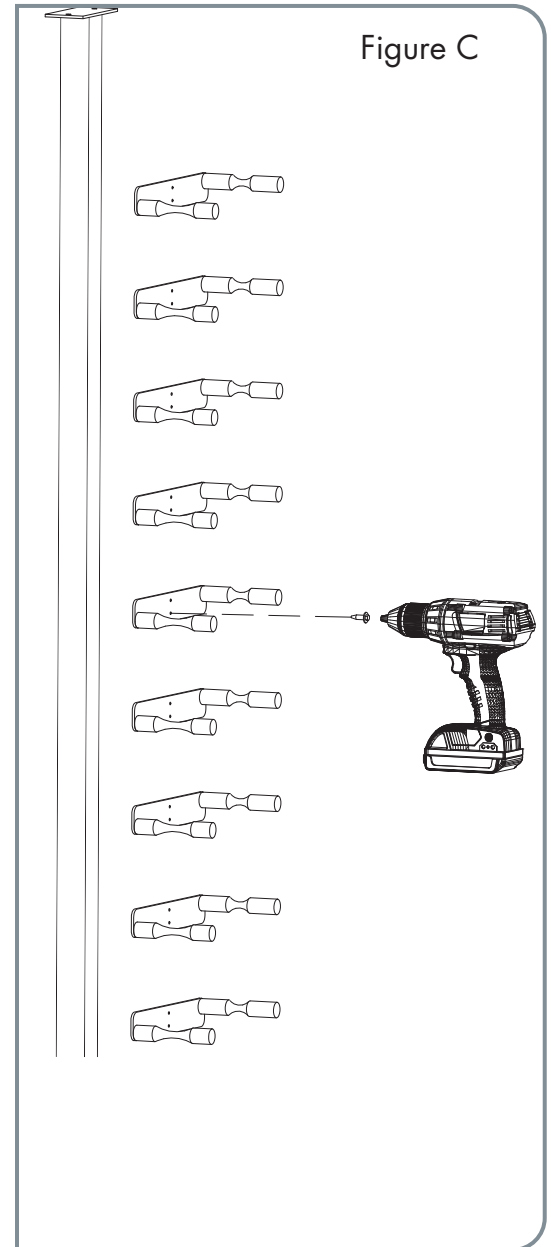


Figure C



VINTAGEVIEW®
MOVING WINE STORAGE FORWARD