

W Series Base Plate

W Series Frame Base Plate (FCF-BASE) Installation Instructions



Starter Kit Included Parts Required Tools

- (1) FCF-BASE
- Phillips Head Driver / Drill Level
- Metal Cutting Saw
- Tape Measure
- Metal File
- Pencil

1. Measure height of area

Measure the overall height W Series Wine Rack Frame installation area. Subtract 1/8 inch (thickness of the FCF-BASE) from the measurement and mark both legs of the W Series Frame with the resulting dimension. Be sure to measure and mark away from the attached base plate to leave it intact.

2. Cut the frame

Using a metal cutting saw, squarely cut both legs of the W Series Frame to length and remove any resulting burrs with a metal file.

Pro-Tip: Abrasive cut-off saws should NOT be used for this operation, as the heat generated will likely damage the finish of the FCF-HD. Instead, use a portable band saw, reciprocating saw, or hack saw to make the cuts.

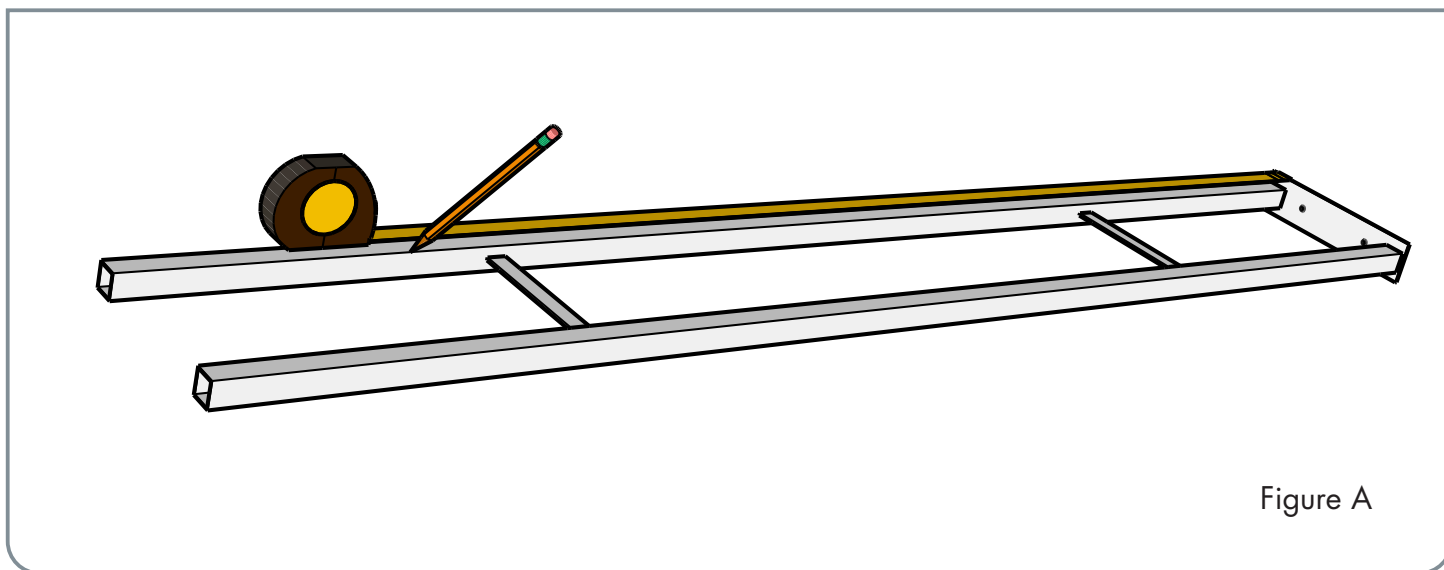


Figure A

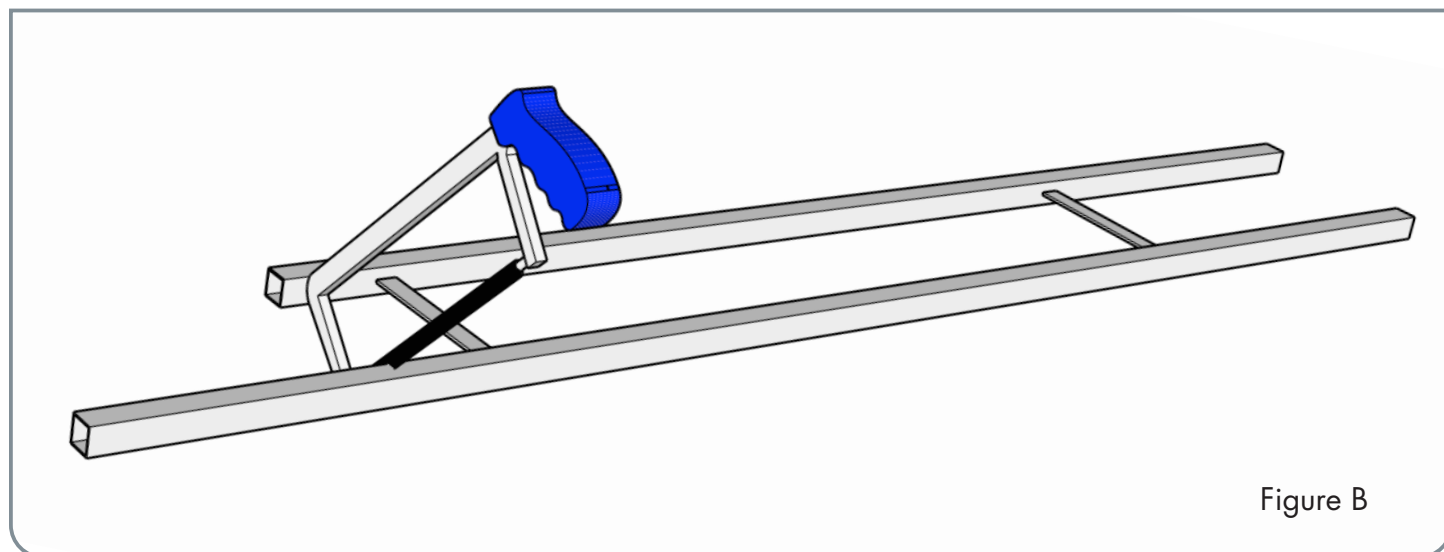


Figure B



3. Insert the Base Plate

Slide the Base Plate into the newly cut end of the W Series Frame and use this end as the top of the frame.

4. Finish the assembly of the W Series Wine Rack Frame and install using instructions included with Frame.

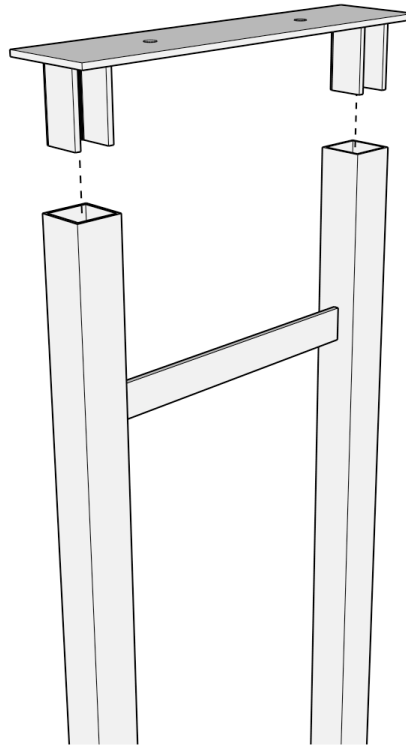


Figure C

