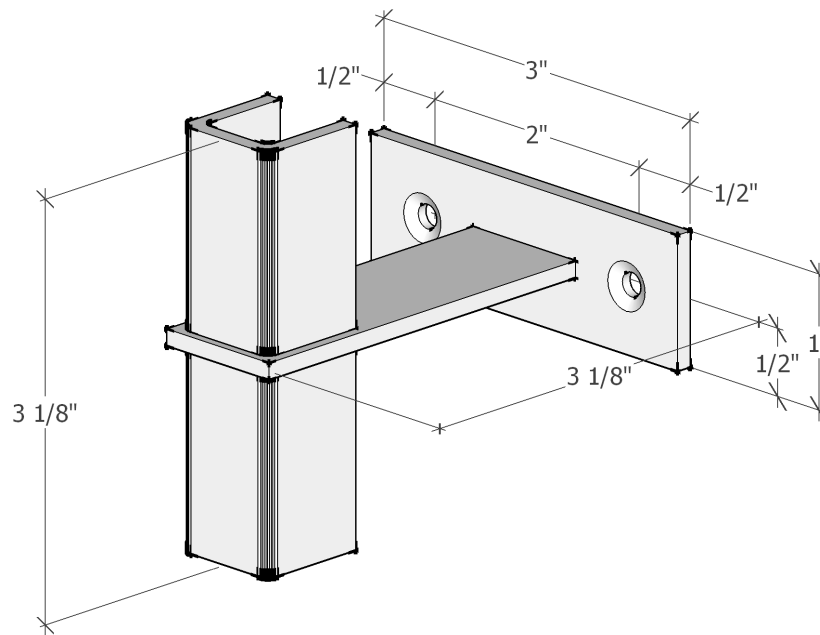


W Series Frame Extension Bracket

Spec Sheet for FCF-2EX



VINTAGEVIEW[®]
MOVING WINE STORAGE FORWARD

4690 Joliet St., Denver, CO 80239 | phone: 866.650.1500 | fax: 866.650.1501 | VintageView.com

For product warranty information, please visit vintageview.com/warranty