

W Series Frame Extension Bracket

Installation Instructions for FCF-2EX



Starter Kit Included Parts

- (2) FCF-2EX Pieces

Required Tools

- Phillips Head Driver
- Drill
- Level
- Metal Cutting Saw
- Tape Measure
- Metal File
- Pencil

Fasteners: There are pre-drilled mounting holes in each mounting plate. Appropriate fasteners for surface must be utilized in every mounting hole for proper installation. Fasteners for securing racks to the frames are provided, but hardware for attaching the frames to the floor and ceiling are not. We recommend the following fasteners for these surfaces:

- Drywall installations should attach to joists or wood backing when available with a #8 X 1-1/2" course thread screw or larger alternatively, use expanding hollow wall anchors with at least #8 screw size
- Wood surfaces use #8 X 1-1/4" course thread screws or larger
- Concrete, Brick or Stucco: 3/16" x 1 1/4" masonry screw or #8 x 1 1/4" screw with appropriate size expanding concrete anchor

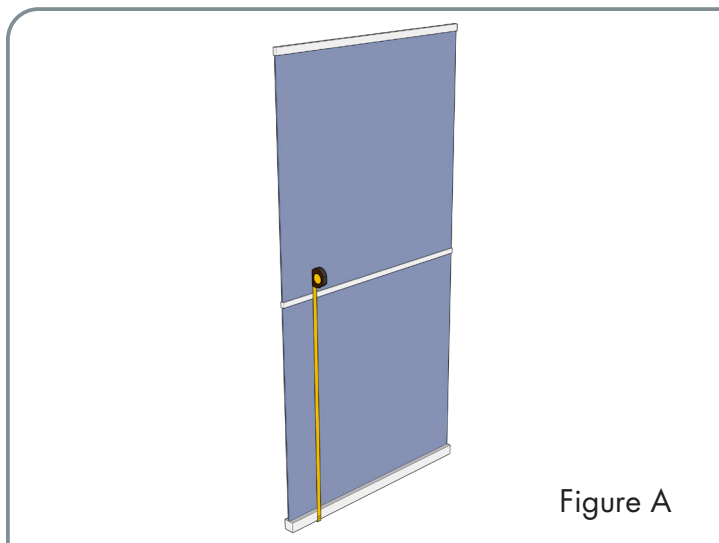


Figure A

1. Measure Lower Section Height: Measure the distance from the floor to the centerline where the Extension Bracket will attach (Figure A). Subtract 3/16" (4.8mm) from the measured height (to allow for the thickness of the bottom mounting plate and half of the extension bracket) and mark the calculated distance on both legs of the frame.

Note: If the calculated measurement aligns with one of the cross members, cut 2" (52mm) off the end of the frame and then mark the cut lines, measuring away from the fresh cut.

2. Cut the Lower Section: Using a reciprocating saw, band saw or hack saw with the appropriate blade; squarely cut both legs of the frame at the marks from Step 1 (Figure B). With a metal file, carefully remove any resulting burrs from the cuts.

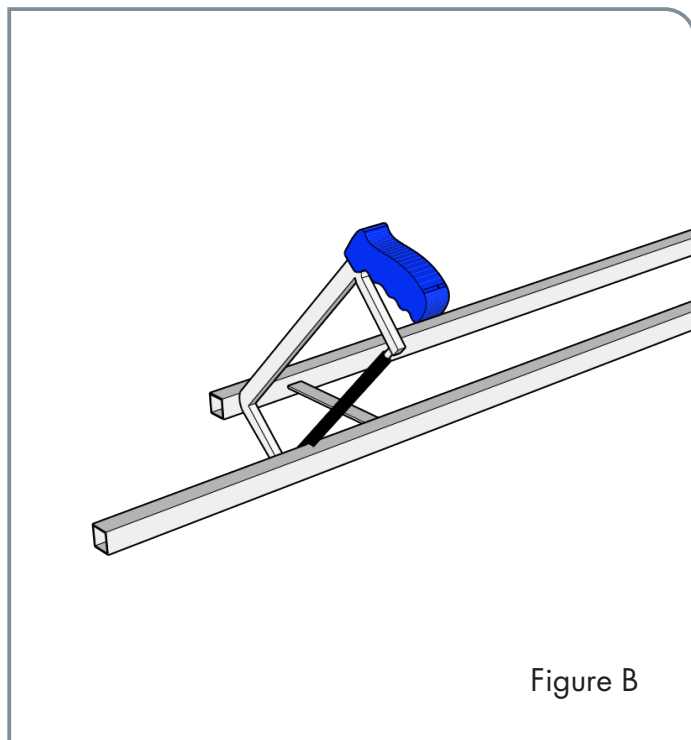


Figure B

Note: An abrasive cut-off saw should not be used, as the heat generated is likely to damage the finish of a Wall Series Frame.

3. Assemble the Lower Frame: Insert the C-channel of the Extension Brackets into the end of one frame section and ensure that they fully seated. The horizontal plate should be flush against the end of the frame (Figure C). Install the bottom mounting plate option into the opposite end of the frame by sliding the C-channel into the frame as shown below and securing with a self-drilling screw through the side of the frame.

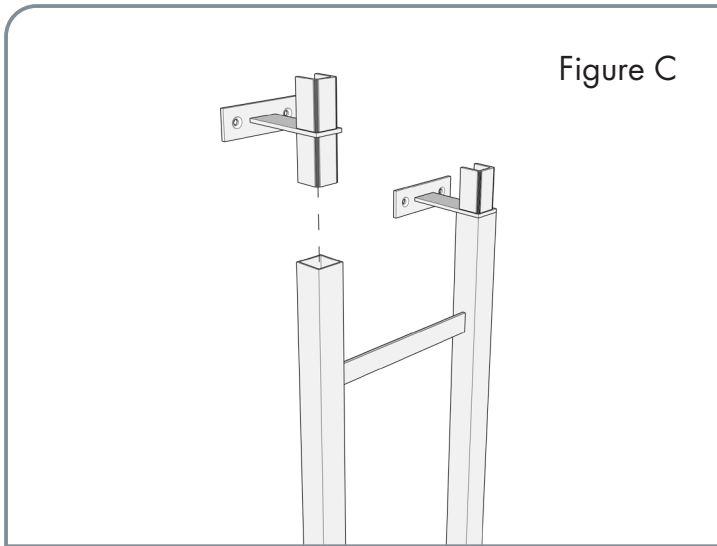


Figure C

4: Install Lower Frame: Following the directions the W Series Frame and/or any other mounting plate instructions, install the lower end of the W Series Frame into the wall or ceiling.

5. Measure Upper Section Height: Hold the assembled lower section of the frame in place (Figure D) and refer to the instructions below for the attachment method corresponding with installation:

Ceiling Mount: Rest tape measure on the horizontal bracket, between the frame and the ceiling, and measure the height of the ceiling. Subtract 1/8 inch (3.2mm) from the measured distance to accommodate the thickness of the mounting plates. This applies to standard Base Plates (FCF-BASE) and Hidden Base Plates (FCF-HIDDEN). Mark the resulting dimension on the frames (Figure E), following the procedure in step 2.

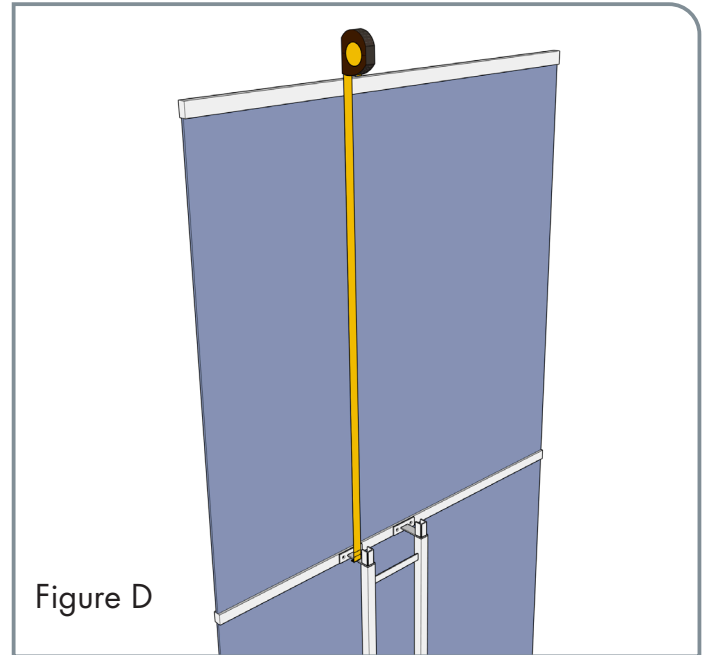


Figure D

Wall Mount: If using the W Series Frame 2" Standoff Bracket (FCF-2WB), rest tape measure on the horizontal bracket, between the frame and the wall, and measure the height to the centerline where the fasteners will attach. Using that measurement, add 1/2 inch (12.7mm) to the measured distance. Mark the resulting dimension on the frames (Figure E) and cut, following the procedure in step 2.

6: Mount Frame: Slide the upper section into place over the C-channel of the Extension Bracket, Repeat steps 1-5 for an additional Extension Bracket or, following the directions the W Series Frame and/or any other mounting plate instructions, install the W Series Frame into the wall or ceiling.

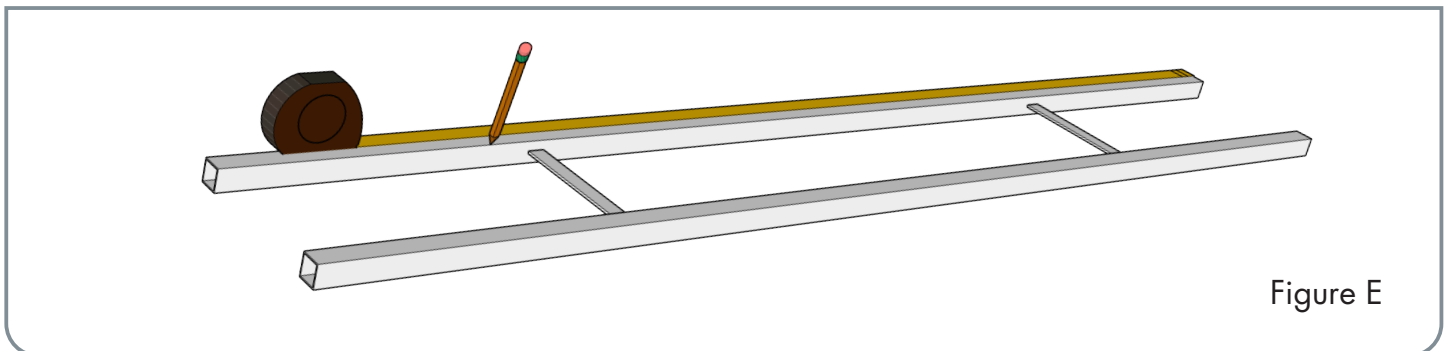


Figure E

