

# Wall Series Perch

Installation Instructions for wall and frame mounting (FCF-PERCH)



Video guides, spec sheets, and additional support are available at [vintageview.com](http://vintageview.com).

## What's Included...

- (1) Perch
- (2) Toggle bolts\*
- (2) Wood screws\*

## You'll Also Need...

- Measuring tape
- Drill with Phillips head bit
- 5/64 Drill bit
- 5/8" Paddle drill bit\*
- Pencil\*
- Phillips head screwdriver\*
- Level\*
- Wall Series Frame\*\*
- (2) Self-drilling screws (included with frame)\*\*

\* Only needed for wall installations \*\* Only needed for Frame installations

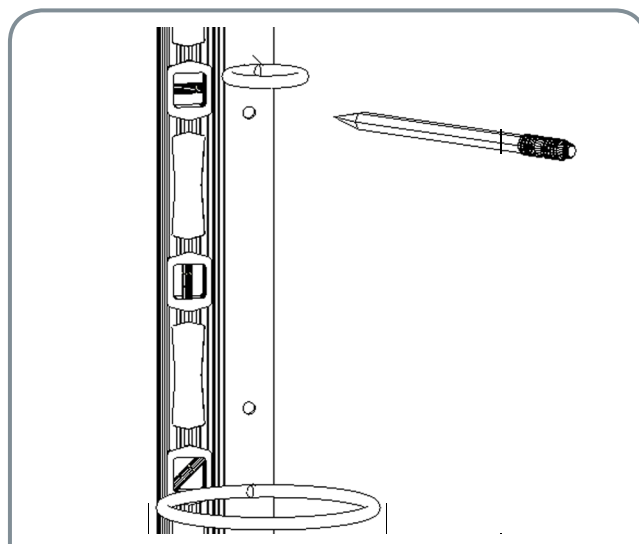
Wall Mount installs (Frame instructions follow)

## Step 1: Layout

Using a level to assure that the Perch is plumb, mark the hole locations through the mounting holes in the Perch. Repeat for any additional Perches.

Please note: The Perch requires a minimum 13-1/2" height for 750ml storage (14" Champagne bottles), 5" width and 5" depth. Always allow 2-1/2" for 750ml storage of clear space at the top of the mounting strip to insert and remove bottles (3" for Champagne bottles).

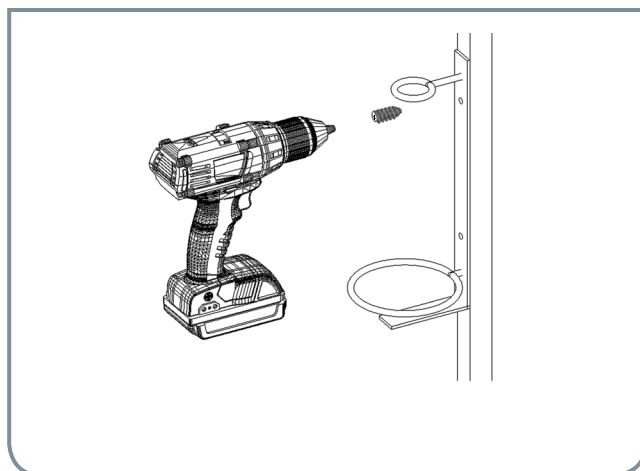
Perches can also be installed at angles up to 45°.



## Step 2: Drill Mounting Holes

Confirm your wall surface (drywall or wood/stud backed) by drilling a pilot hole using the 5/64" bit. If drywall, drill holes at marked locations with a 5/8" Paddle drill bit. If wood (or studs), drill a pilot hole at both mounting locations.

*Note: For concrete, brick or stucco we recommend 3/16" x 1-1/4" masonry screw (sold separately).*





### Step 3: Mount the Perch

For drywall, disassemble the toggle bolt, removing expanding nut. Insert the bolt through the mounting hole on the Perch.

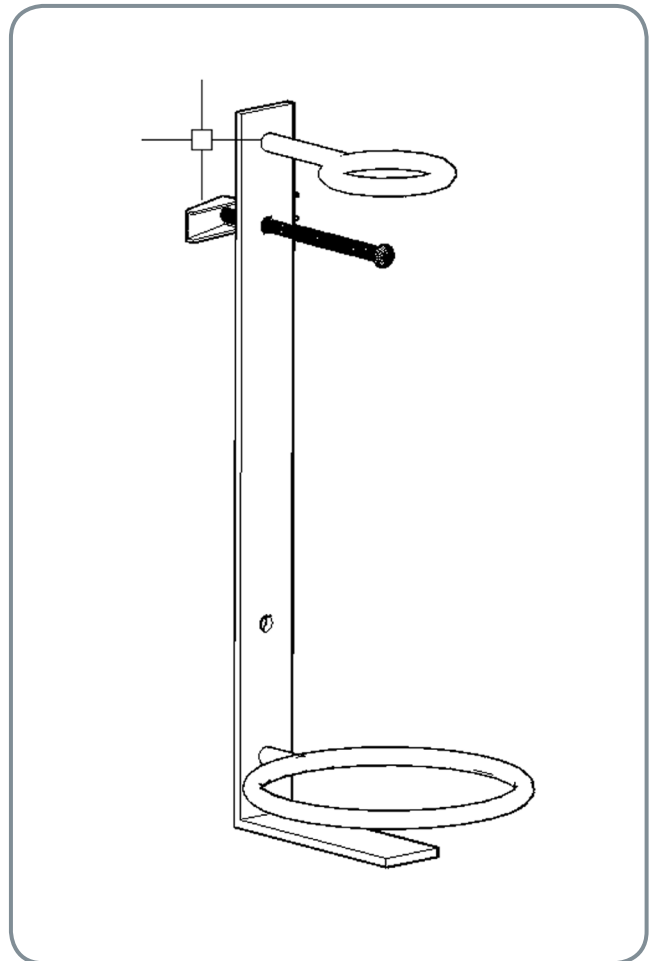
With the wings of the expanding bolt oriented to fold towards the head of the bolt thread the expanding nut on to the bolt until the bolt begins to protrude from the nut by 1/2"; repeat for remaining mounting hole.

Next close the wings of the expansion nut and gently push the nut through the drywall until the wings open behind the drywall; repeat for all mounting points then tighten the bolt with a screwdriver using care to not over-tighten and to maintain level for the unit.

For wood, insert a provided screw through mounting hole in Perch into the pilot holes. Fasten with a drill or screwdriver using care to not over-tighten and to maintain level for the unit.

### Step 4: Add wine.

Only the good stuff.





## Wall Series Frame installs

### Step 1: Layout

The Perch can be mounted to the side or face of any Wall Series Frame (sold separately). Mount all other wine racking to the Frame prior to laying out any Perch. Using a level to assure that the Perch is plumb, mark the hole locations through the mounting holes in the Perch. Repeat for any additional Perches.

Please note: The Perch requires a minimum 13-1/2" height for 750ml storage (14" Champagne bottles), 5" width and 5" depth. Always allow 2-1/2" for 750ml storage of clear space at the top of the mounting strip to insert and remove bottles (3" for Champagne bottles).

Use care when mounting the Perch on the face of an Wall Series Frame where the two frame pieces come together, always secure the splice by planning for one screw to go into each frame piece.

### Step 2: Mount the Perch

Align the Perch with the marked mounting locations on the Frame.

Using two of the self-drilling screws provided with the Frame, attach the Perch with a drill or screw driver.

Pro tip: A small clamp will be real helpful here.

### Step 3: Add wine.

Only the good stuff.

