

Wall Series Frame Hidden Base Plate

Installation Instructions for FCF-HIDDEN



Parts List

- 2 FCF-HIDDEN
- 2 Self-drilling screws

Required Tools

- Phillips head driver/drill
- Level
- Pencil
- Tape Measure
- Metal Cutting Saw
- Metal File

IMPORTANT:

This product is a minimalist upgrade to provided welded base plates for the various Wall Series Wine Rack Frames (FCF-HD, FCF-12, FCF-MAG) and an option for custom frames.

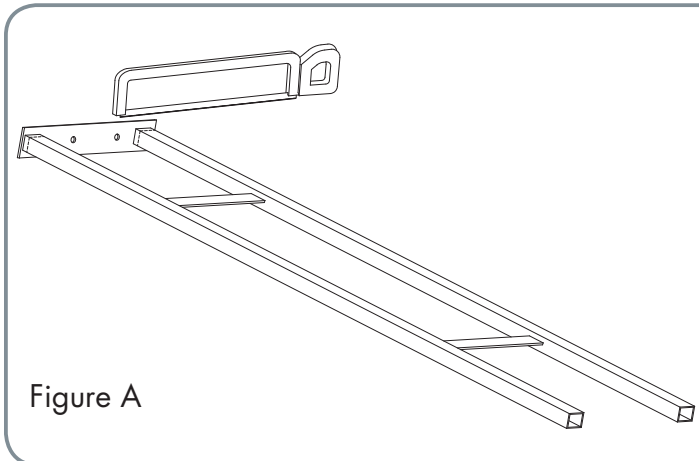


Figure A

1. Cut off first welded mounting plate: On one section of the Wall Series Frame only, squarely cut the posts flush with the mounting plate to remove it (Figure A). Clean off any resulting burrs with a metal file. This will leave one section with a mounting plate and another open ended.

NOTE: These instructions presume that Hidden Base Plate will be used in both the top and bottom of Wall Series Frame. Please adjust accordingly if only using a Hidden Base Plate on one end.

2. Assemble the Frame: Connect the sections of the Frame together following instructions included with the frame.

3. Insert Hidden Base Plates: Slide the Hidden Base Plate pieces into the open ends of the Wall Series Frame with the mounting holes positioned toward the front and back of the Frame (Figure B). For maximum rigidity when installed, insert a self drilling screw through the side wall of the frame and into the "U" channel of each bracket.

4. Mark and cut the frame to fit: Following the directions included with your frame, measure and

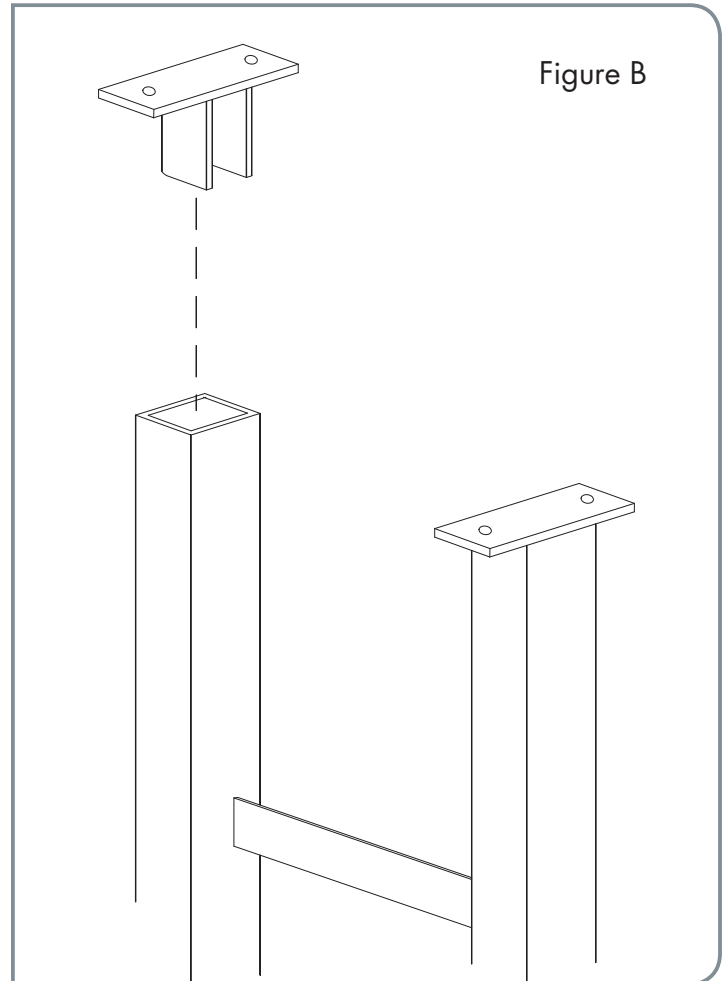


Figure B

cut to fit your ceiling height (factor in 1/8" for thickness of the second Hidden Base Plate when cutting).

5. Complete the installation: Install the second set of Hidden Base Plate following the procedure in step 3 and refer to your Wine Rack Frames to complete install. Please ensuring that screws are securely fastened into both mounting holes in each Hidden Base Plate.



VINTAGEVIEW®
MOVING WINE STORAGE FORWARD

