

# Wall Series Frame Angled Base Plate

FCF-ANGLE Installation Instructions



## Starter Kit Included Parts    Required Tools

- (2) FCF 2WB Pieces
- (2) Self Drilling Screws
- Phillips Head Driver / Drill Level
- Metal Cutting Saw
- Tape Measure
- Metal File
- Pencil

### 1. Measure angle of ceiling

Use a protractor, speed square or simply fold a sheet of paper held against a level, to get the precise angle of the ceiling slope.

### 2. Cut the existing mounting plate off one section of frame

Mark the angle on the frame and use a hack saw, portable band saw, or a reciprocating saw with a metal cutting blade to cut the existing mounting plate off of one frame piece.

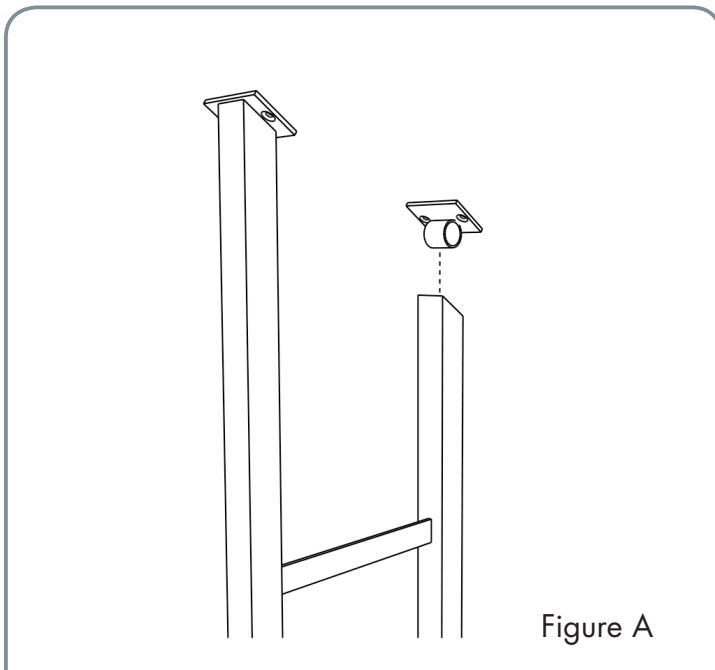


Figure A

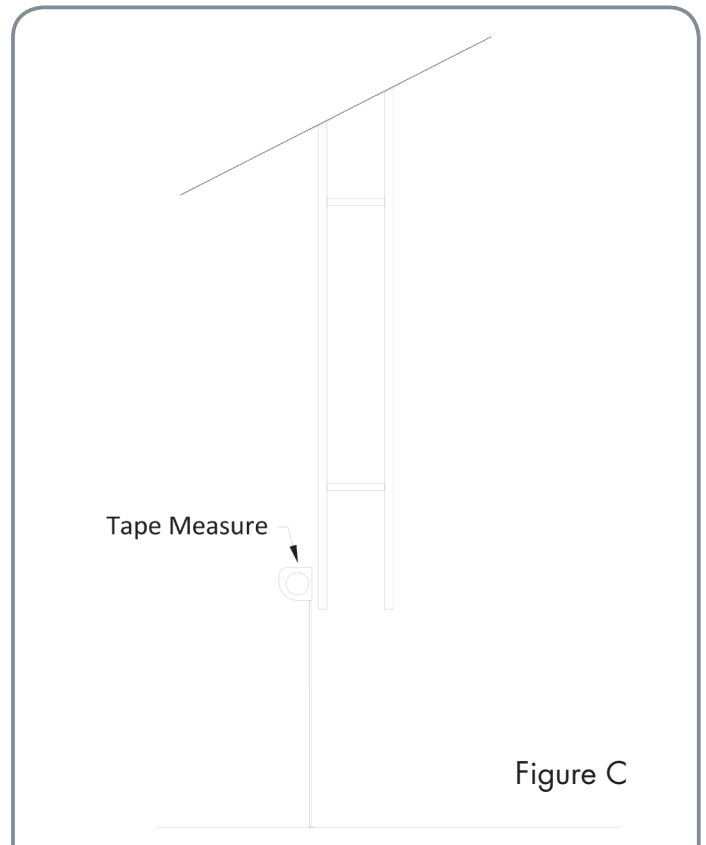


Figure C

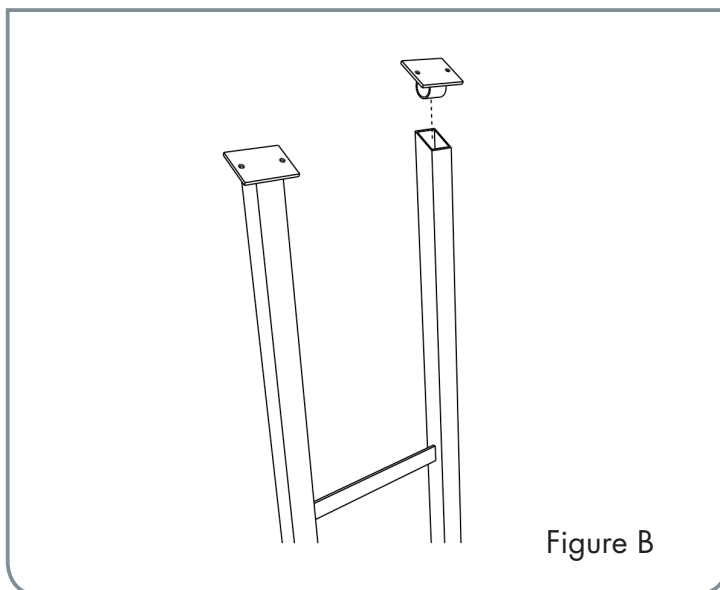


Figure B

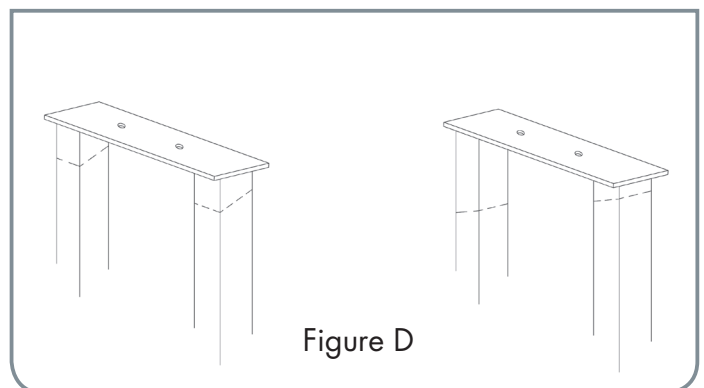


Figure D



### 3. Insert the FCF-ANGLE pieces

Slide the FCF-ANGLE pieces into the newly cut end of the floor-to-ceiling frames, with the open end of the round tube facing the longest edge of the cut.

**Pro-Tip:** The FCF-ANGLE may be locked into place using a self-drilling screw to pierce through the side of the floor-to-ceiling frames and into the open end of the round tube.

### 4. Measure the floor to ceiling height

Have a helper hold the frame section with the brackets installed in place at the ceiling, measure the distance from the bottom of the frame to the floor. Subtract 1/16 of an inch (for the coupler) and finish the assembly of the floor-to-ceiling frames

**NOTE:** Be certain to securely install appropriate fasteners into both mounting holes on each FCF-ANGLE bracket at the ceiling.

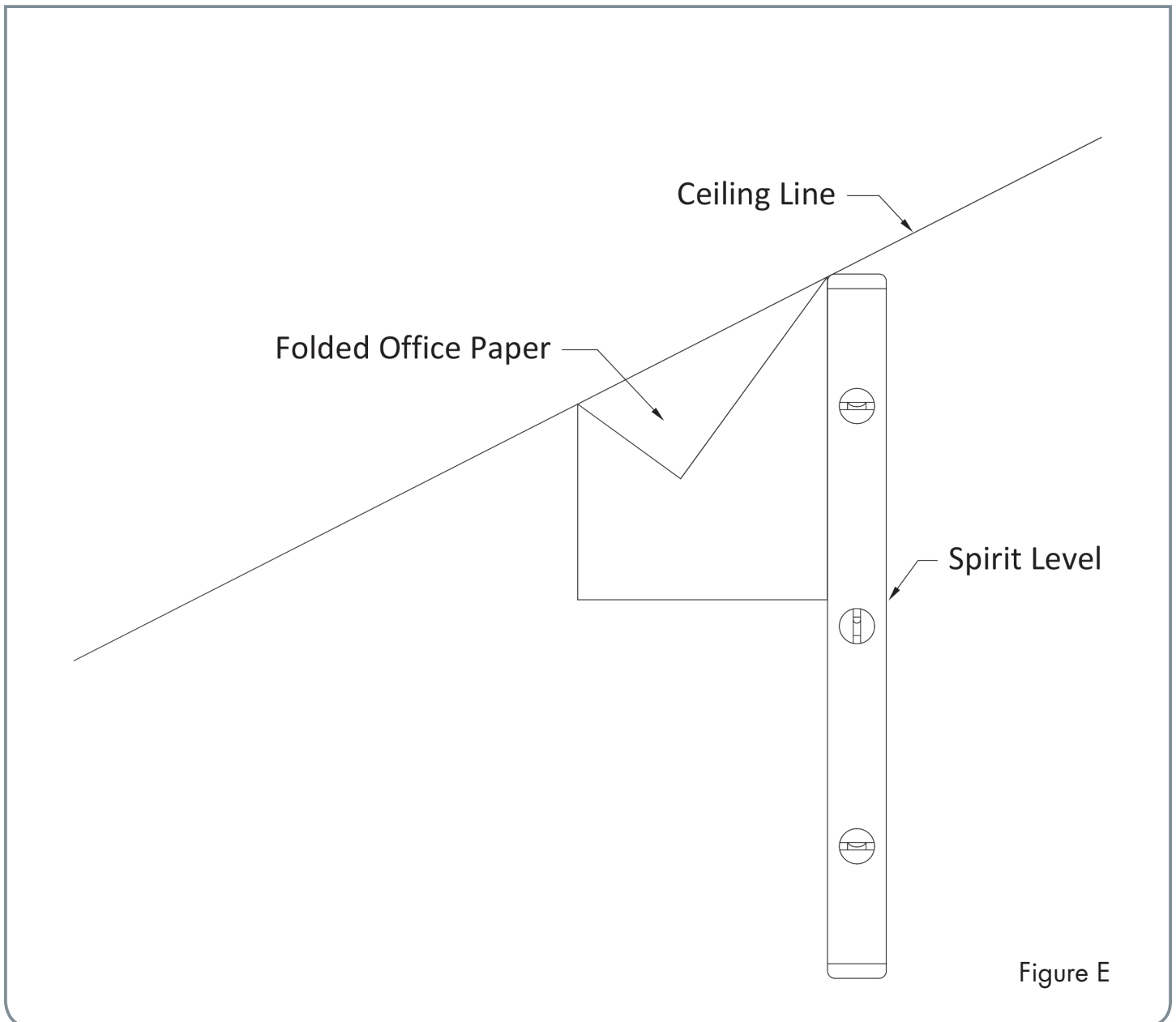


Figure E

