

# Floor-to-Ceiling Frames 12

Installation Instructions for the 12-foot FCF Wall Series mounting system



## Included Parts

- (2) 48" Base Frame with base plates
- (1) 48" Center Frame
- (45) Self-drilling screws

## Required Tools/Parts

- Wall Series wire racking and/or Backer Bar
- Phillips head driver/drill
- Level
- Pencil
- Tape measure
- Metal cutting saw
- Metal File

## IMPORTANT Fasteners for ceiling and floor mounting:

There are pre-drilled mounting holes in each mounting plate. Appropriate fasteners for your surface must be utilized in every mounting hole for proper installation. Fasteners for securing racks to the frames are provided, but hardware for attaching the frames to the floor and ceiling are not. We recommend the following fasteners for these surfaces:

- Drywall installations should attach to joists or wood backing when available with a #8 X 1½" course thread screw or larger or use expanding hollow wall anchors with at least #8 screw size
- Wood surfaces use #8 X 1¼ course thread screws or larger
- Concrete, Brick or Stucco: 3/16" x 1¼" masonry screw or #8 x 1¼" screw with appropriate size expanding concrete anchor

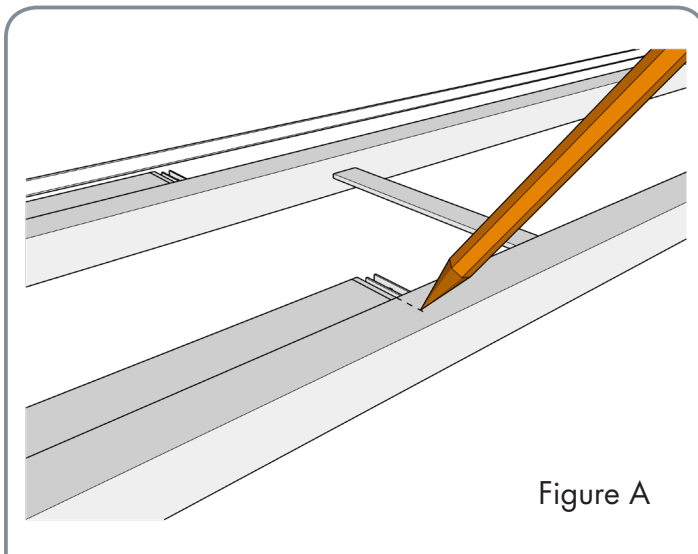


Figure A

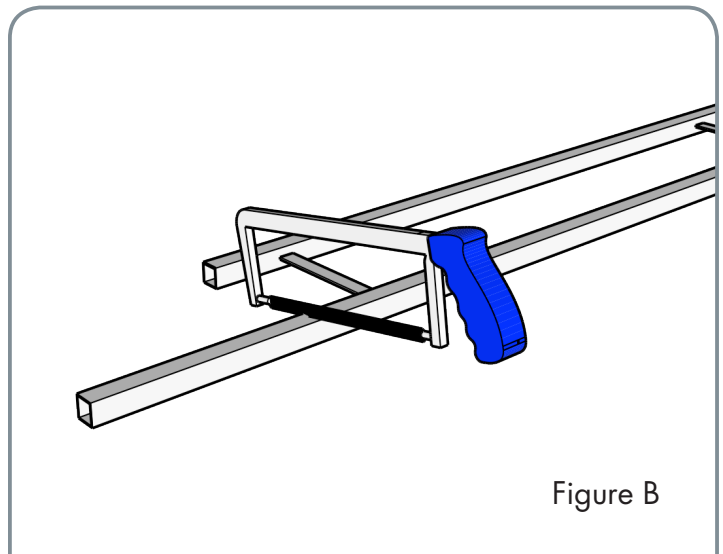


Figure B

**1. Measure ceiling and mark the frames** - Measure the ceiling height in at least two places where the frame is to be installed. Lay the two Base Frames on the floor, interlaced with the Center Frame. Position the three frames so that the measurement from top to bottom of the base plates equals your ceiling height. Mark your cut lines, on both legs of each Base Frame, where the Center Frame overlaps (Figure A). Ensure both end sections are cut equally.

**2. Cut the frames** - Using a reciprocating saw, band saw or hack saw; squarely cut both legs of the frame at the marks from Step 1 (Figure B).

Note: An abrasive cut-off saw should not be used, as the heat generated may damage the finish of the frames.

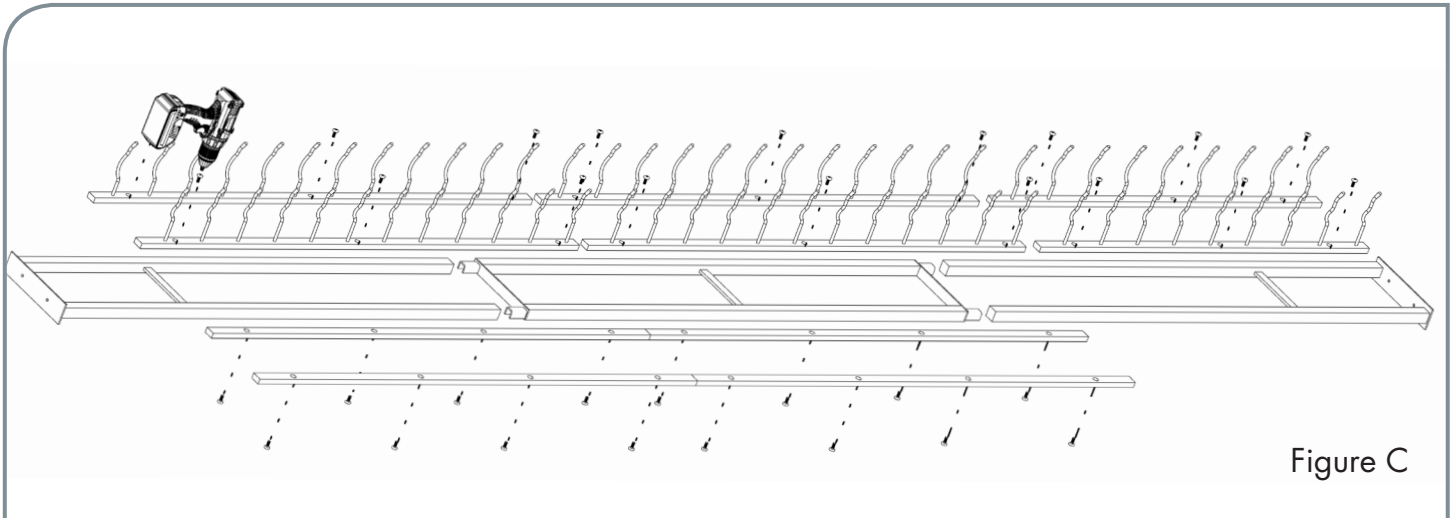


Figure C

**3. Assemble the frame** - Slide the frames together. Secure the Wall Series racking and/or FCF Backer Bars to the front and back of the frames using provided self-drilling screws (Figure C). Ensure the connection joints of the frames are supported by either Wall Series wine racks or an FCF Backer Bar. The connections must be supported by a minimum of 12" of racking or backer bars (Figure D).

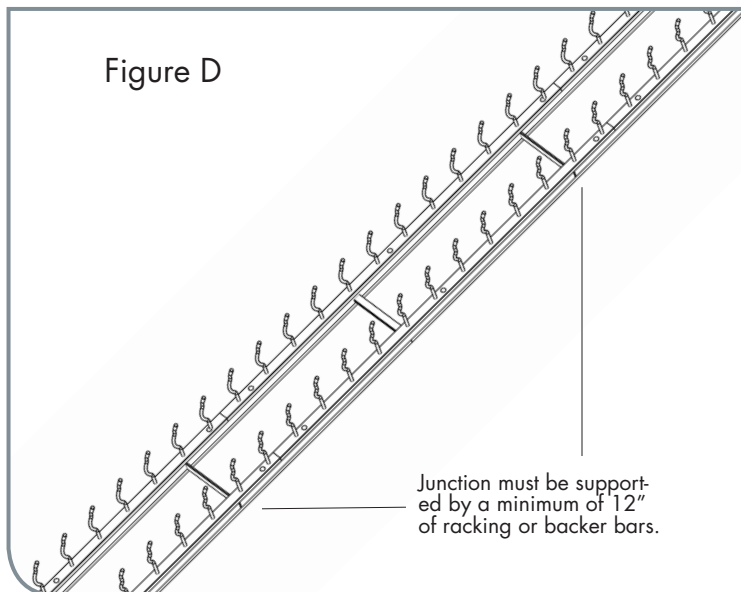


Figure D

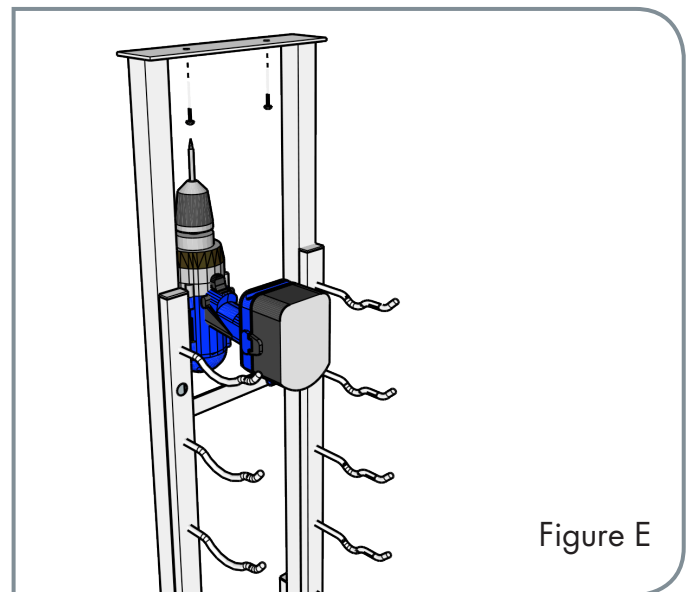


Figure E

**4. Install the frame** - Stand the rack in the desired location and ensure that the frame is plumb both front-to-back and side-to-side using a level. Attach the mounting plate to the ceiling using the appropriate fasteners for the ceiling material. Double check that the frame is plumb with a level and secure the mounting plate to the floor.

**5. Add wine** - Only the good stuff.

