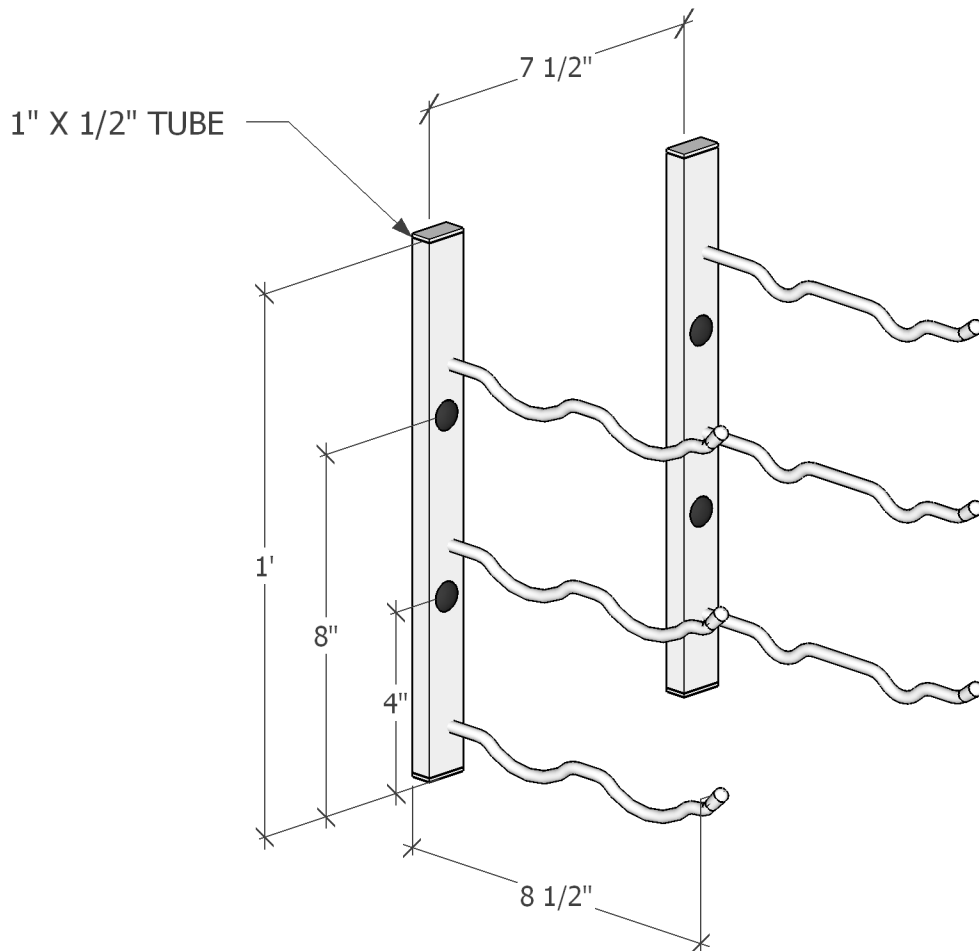


Wall Series 12

(WS-12) Spec Sheet



The Wall Series 12 holds 6 standard wine bottles in double-bottle depth configuration.



VINTAGEVIEW®
MOVING WINE STORAGE FORWARD

10645 E 47th Ave, Denver, CO 80239 | phone: 866.650.1500 | fax: 866.650.1501 | VintageView.com

For product warranty information, please visit vintageview.com/warranty