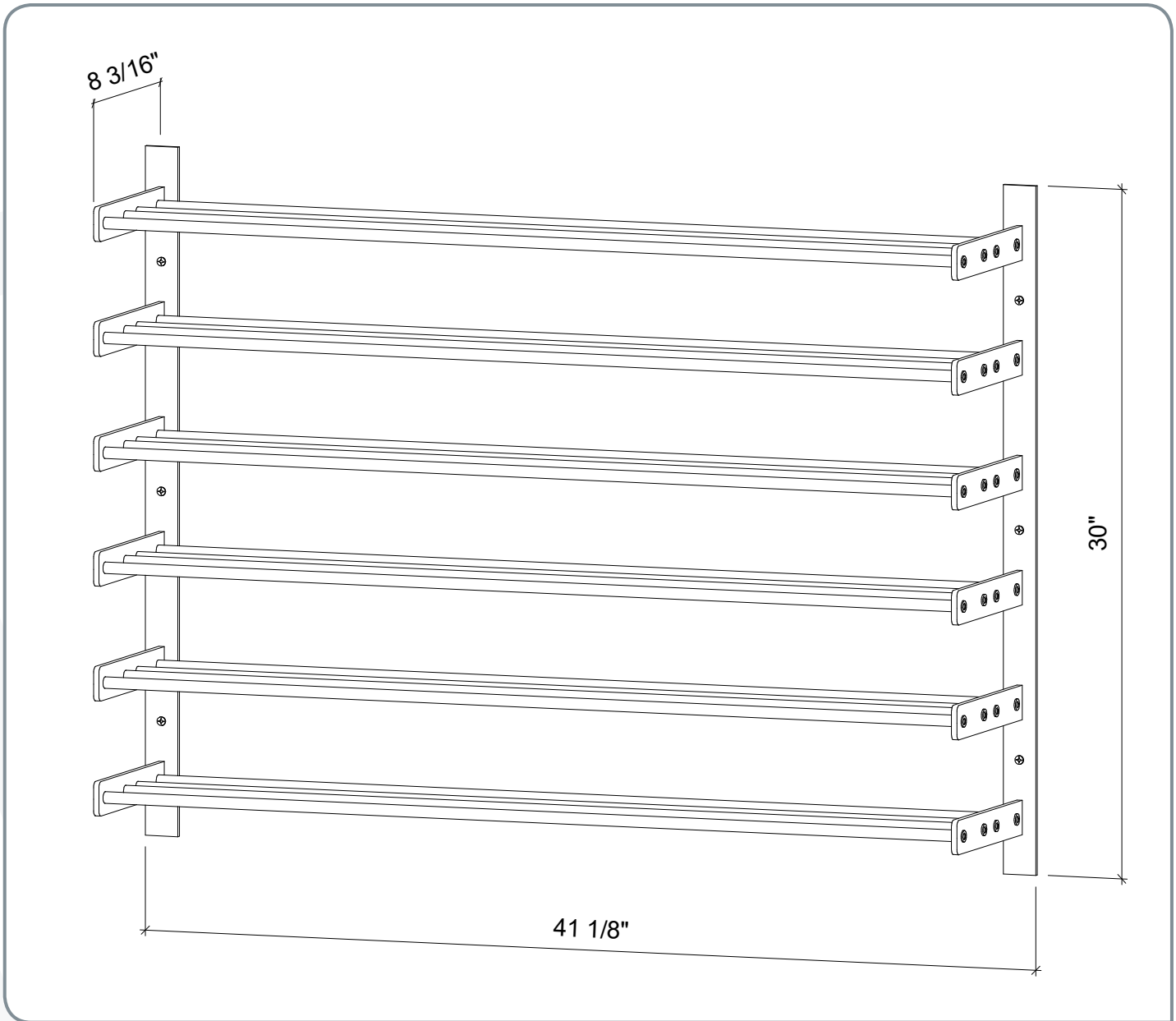


Evolution Wine Wall 30"

Spec Sheet for (ES-WW-30-2)



VINTAGEVIEW®
MOVING WINE STORAGE FORWARD

10645 E 47th Ave, Denver, CO 80239 | phone: 866.650.1500 | fax: 866.650.1501 | VintageView.com

For product warranty information, please visit vintageview.com/warranty