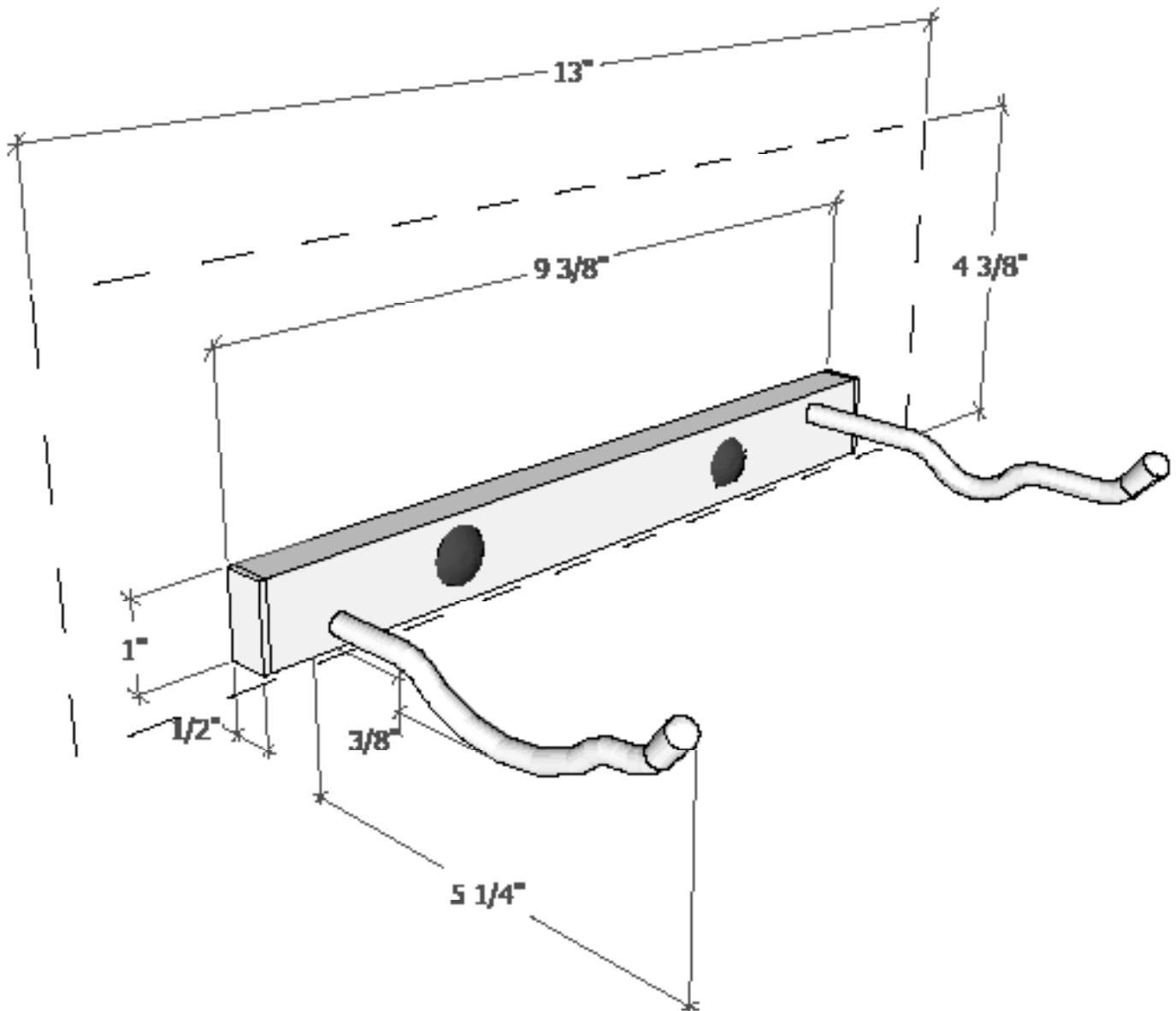


WS-LEFT, WS-RIGHT

Spec Sheet for Wall Series Single



VintageView recommends 13 inches overall width allowance for most wine bottles.

Mounting holes and overall dimensions are identical for Left and Right options.



VINTAGEVIEW[®]
MOVING WINE STORAGE FORWARD

10645 E 47th Ave, Denver, CO 80239 | phone: 866.650.1500 | fax: 866.650.1501 | VintageView.com

For product warranty information, please visit vintageview.com/warranty