

Wall Series Single (WS-LEFT & WS-RIGHT) Installation Instructions

Required tools: Phillips Head Screw Driver
Level
Pencil
Drill, 1/16 inch (1.5mm) and 1/2 inch (13mm) drill bit
Tape Measure

Included Parts: 1 "Single" Rack
2 Screws

2 Toggle Bolts
2 Mounting Hole Caps

Fasteners:

There are two pre-drilled mounting holes in each rack. Appropriate fasteners for your wall surface must be utilized in both mounting holes for proper installation. Fasteners for drywall and wood surfaces are included with your rack. We recommend the following fasteners for these surfaces:

- Attaching to drywall, use the 2 included Toggle Bolts (M4 X 60mm)
- Wood wall surfaces can use 2 included Screws (#8 X 1 1/4" or M4 X 35mm)
- Concrete, Brick or Stucco: 3/16" x 1 1/4" masonry screw or #8 x 1 1/4" screw with appropriate size expanding concrete anchor

1. Mark the mounting hole locations - Reference Figure A below to ensure appropriate minimum clearances around the Single and hold the rack against the wall. Use a level to ensure the rack is horizontal and mark the mounting hole locations on the wall with a pencil (Figure B) before setting the Single aside.

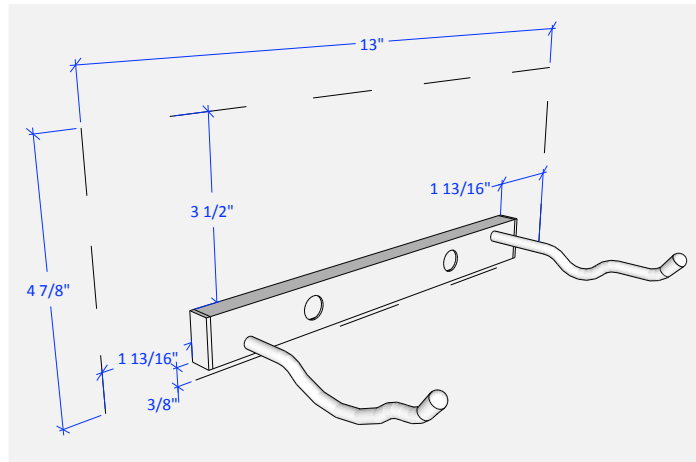


Figure A

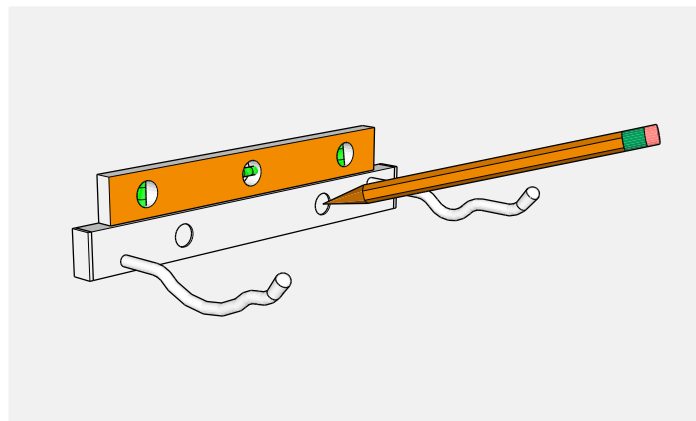


Figure B

2. Drill the anchor holes - Use a stud finder or drill 1/16 inch (1.5mm) pilot holes to determine if the holes are over a stud. For any holes that are located over a stud, see **Note** below. Otherwise, drill a 1/2 inch (13.7mm) hole for the Toggle Bolts centered on the marked hole locations (Figure C).

Note: If attaching to a wood wall surface more than 1/2 inch thick or if a hole location is over a stud, do NOT drill the hole for the Toggle Bolt. Instead, a Screw should be used to fasten the strip into the wood/stud at that mounting point.

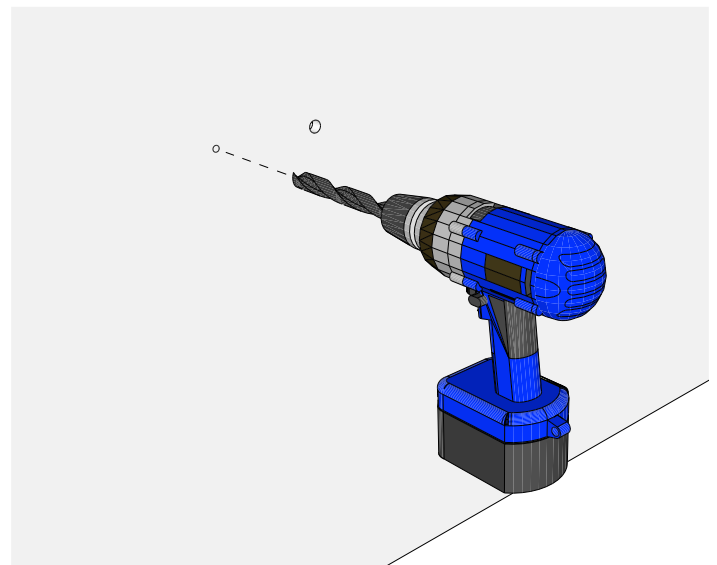


Figure C

3. **Install the rack** - Remove the expanding nuts from the Toggle Bolts. Insert the bolts through the mounting holes and, with the wings of the nut oriented to fold toward the head of the bolt, thread an expanding nut back onto each bolt until the tip of the bolt starts to protrude from the end of the nut. Hold the strip so the Toggle Bolt aligns with the 1/2 inch holes and gently push the expanding nut through the wall (Figure D). Ensure that the wings of the expanding nuts have fully expanded on the back side of the wall and tighten the bolts, verifying that the rack remains level.

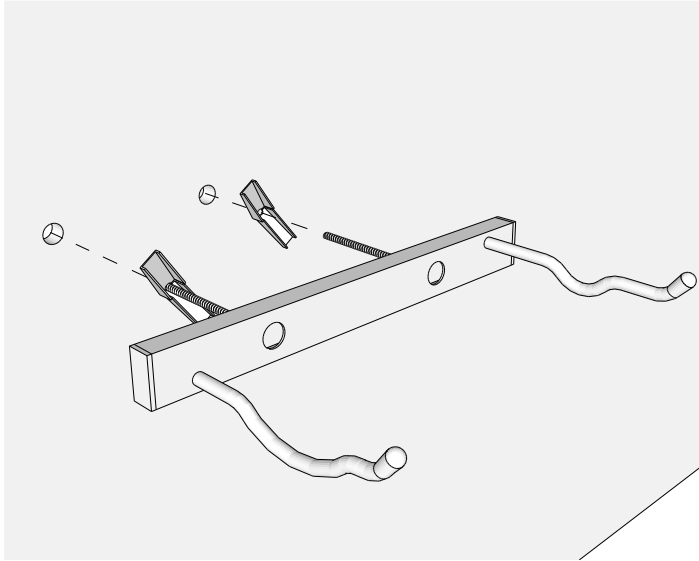


Figure D

4. **Finish up** - Install the mounting hole caps in the 1/2 inch holes on the face of the rack by pressing into place (Figure E) and you're done!

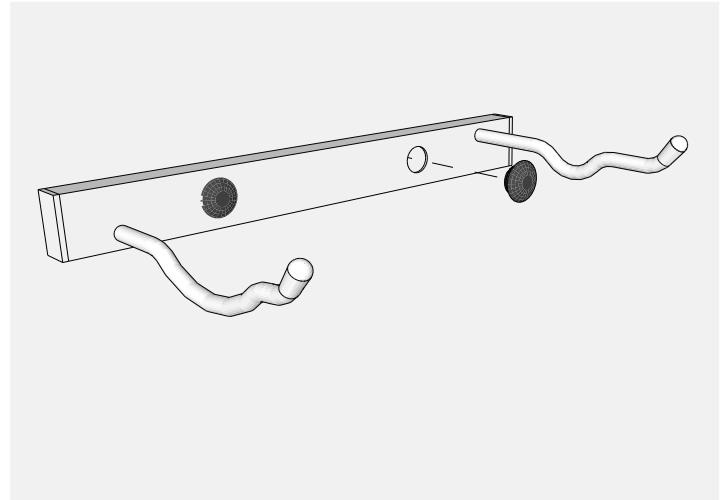
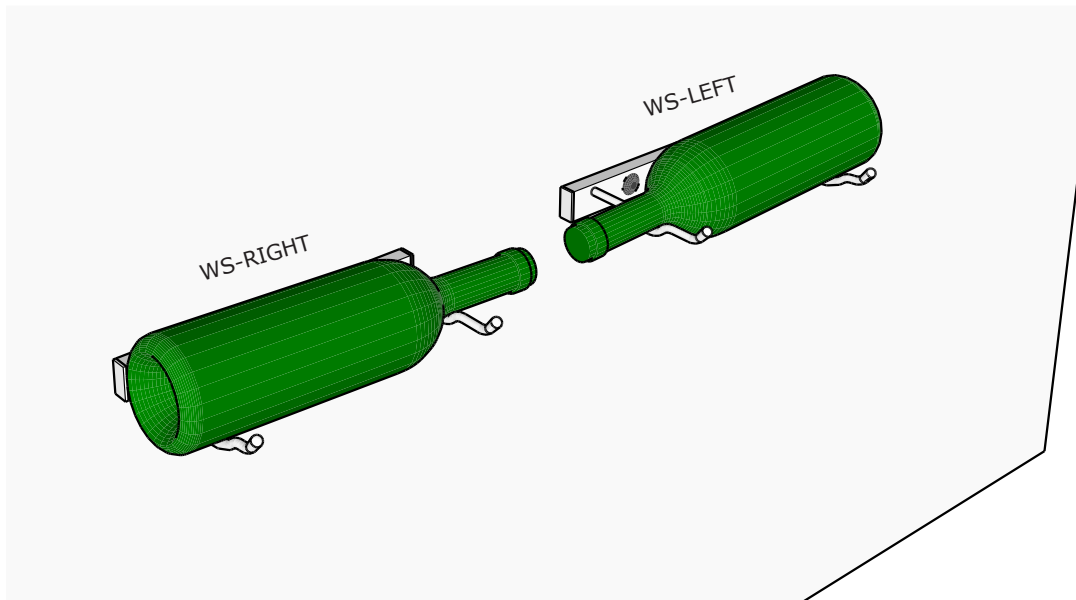


Figure E



Maintenance and Care - Your Wall Series racks should be regularly inspected for secure wall attachment. Should any fastener be found to be loose, tighten it appropriately. If the wall surface shows any signs of breakage, discontinue use immediately until such time as the wall may be adequately repaired. Wall Series racks may be cleaned with a damp cloth and mild dish soap - vinegar, harsh chemicals such as bleach or degreasing agents, abrasive cleaners, abrasive pads or steel wool should NOT be used as they may damage the finish and void the warranty.