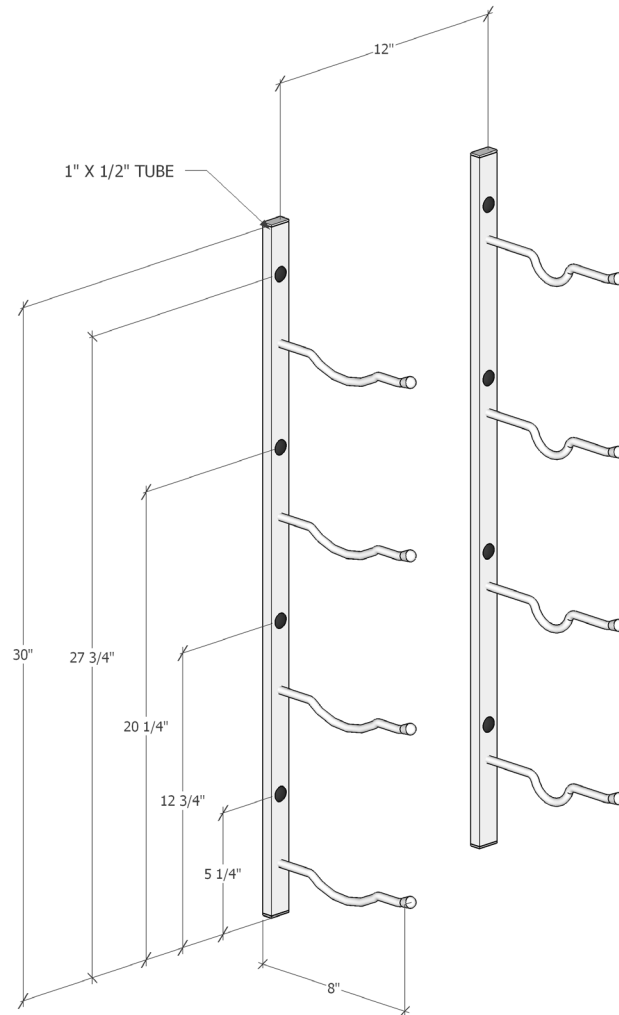


# Wall Series Big Bottle

(WS-Big1) Spec Sheet



The Wall Series Big 1 holds 4 3L or 6L wine bottles. Increase spacing to 13.25" for 6L bottles.



VINTAGEVIEW®  
MOVING WINE STORAGE FORWARD

10645 E 47th Ave, Denver, CO 80239 | phone: 866.650.1500 | fax: 866.650.1501 | [VintageView.com](http://VintageView.com)

For product warranty information, please visit [vintageview.com/warranty](http://vintageview.com/warranty)