

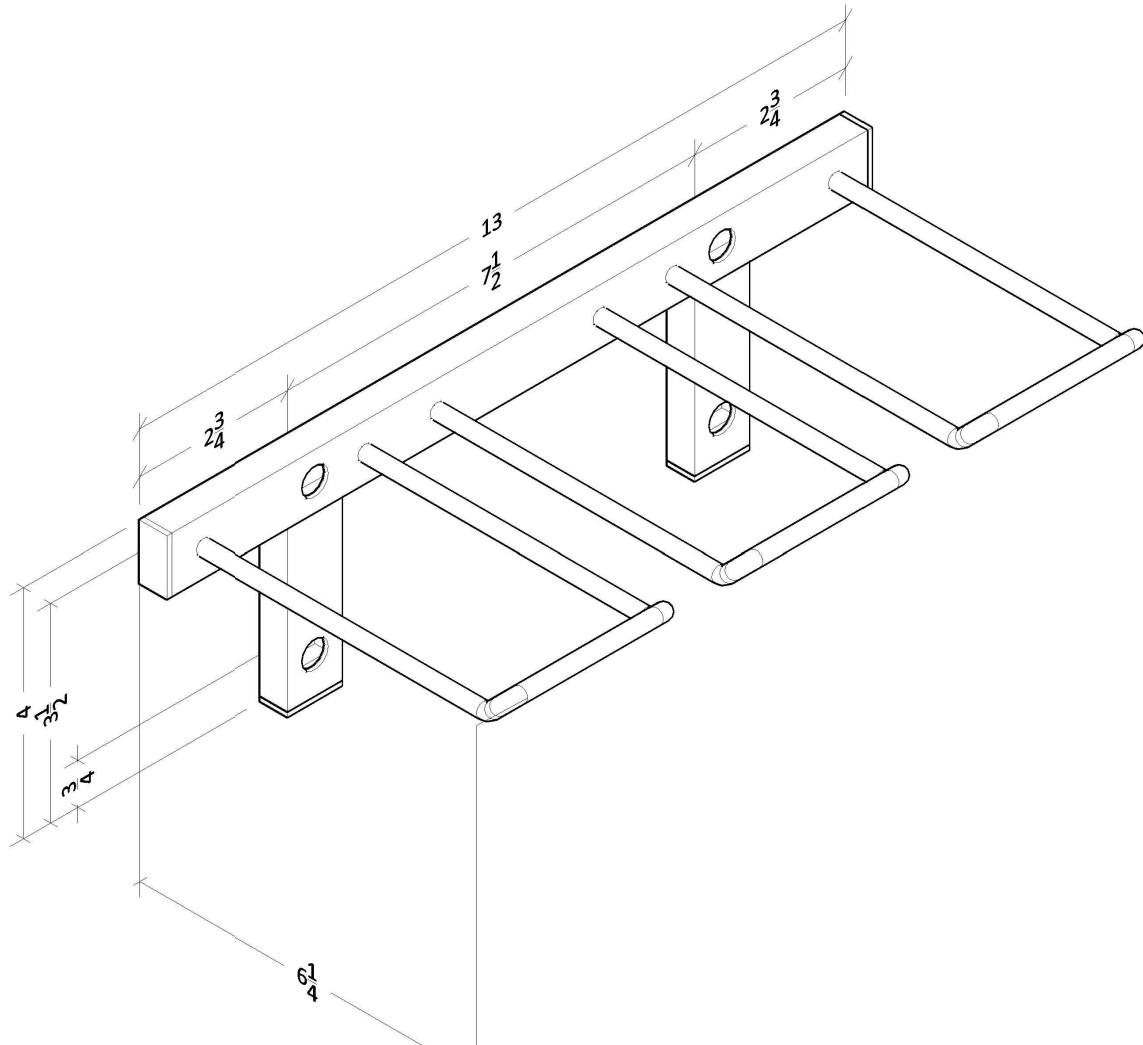
# Wall Series Stemware Rack

(WS-SR-1D) Spec Sheet



The Stemware Rack holds 2 wine glasses.

When coupled together, an additional row of storage is added, increasing capacity by 1 glass per section.



VINTAGEVIEW®  
MOVING WINE STORAGE FORWARD

Note: A minimum of 1 inch above the rack and 12 inches down from the top of the rack are recommended clearances, but may vary by the height of the stemware stored.

10645 E 47th Ave, Denver, CO 80239 | phone: 866.650.1500 | fax: 866.650.1501 | [VintageView.com](http://VintageView.com)

For product warranty information, please visit [vintageview.com/warranty](http://vintageview.com/warranty)