

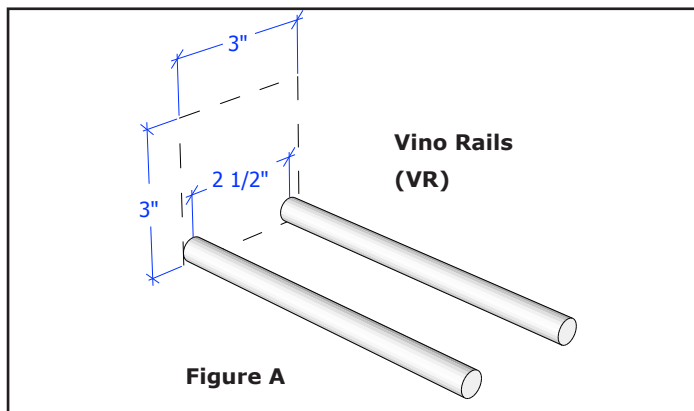
Vino Rails (VR) Installation Instructions

Starter Kit Included Parts: •2 Vino Rails •2 Machine/Lag Studs •1 Hex Key or 2 Nuts

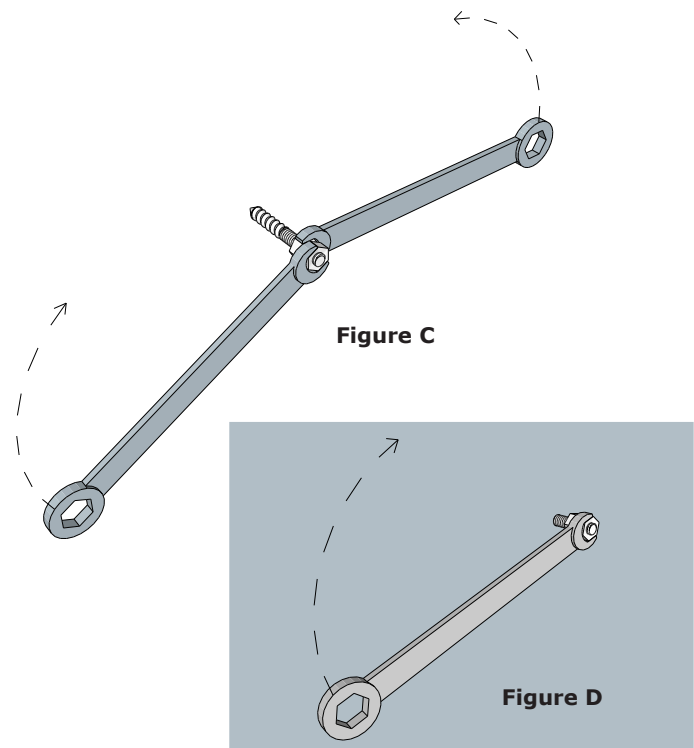
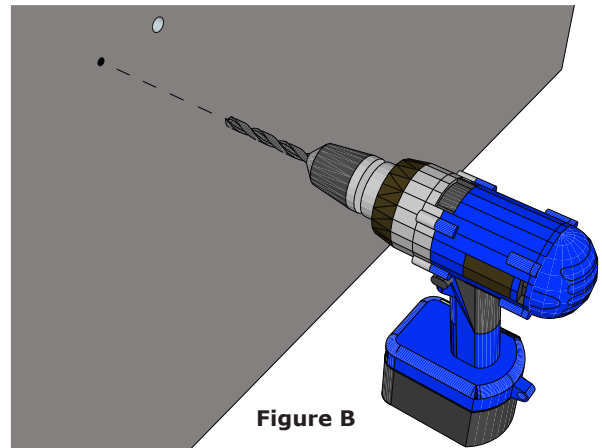
Required tools: •Level •2 X 10mm (or adjustable) wrenches •Drill •5/32 inch (4mm) drill bit

Critical Note: These installation instructions are for attaching Vino Rails only to solid wood or plywood surfaces with a minimum thickness of 1/2 inches (12.7mm). If your wall surface does not meet this minimum requirement, please contact your VintageView supplier to obtain appropriate mounting hardware for your wall surface. Installing Vino Rails on wall surfaces that do not meet this minimum criteria may result in failure of the installation and serious damage or injury.

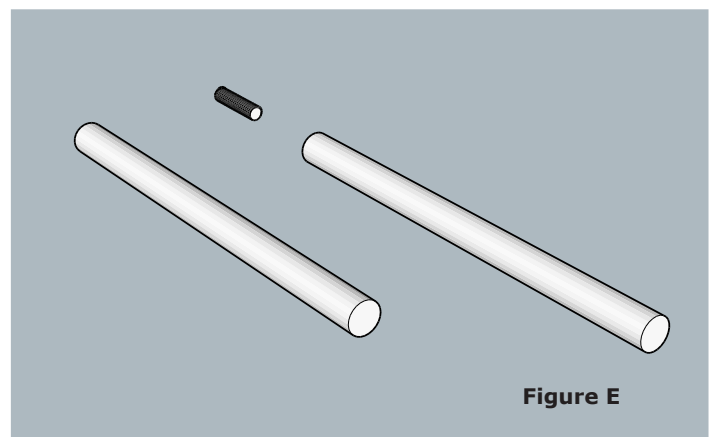
1. Mark the mounting hole locations - Reference Figure A below to verify appropriate minimum clearances around the Vino Rails in the desired installation area. Mark the center-point of the first rail and, using a level to ensure the marks are on the same horizontal plane, mark the center-point of the second rail 2-1/2 inches (63.5mm) away.



2. Install the Machine/Lag studs - Drill a 5/32 inch (4mm) pilot hole at the marked hole locations (Figure B). If supplied, use the hex key to drive the Machine/Lag Studs into the holes until the coarse threads of the lag screw are no longer visible. Otherwise, thread 2 nuts onto the fine threaded end of one Machine/Lag Studs and using two 10mm wrenches, tighten the nuts against one another (Figure C). With the nuts tightened against each other, use one wrench on the outer nut and screw the lag end into the pilot hole in the wall. Thread the bolt into the wall until the coarse threads of the lag screw are no longer visible, leaving just the finer threads exposed (Figure D). Again using 2 wrenches, loosen the nuts and remove them from the fine threaded end of the stud.



3. Install Rails - Screw a Vino Rail clockwise onto an anchor and firmly hand-tighten in place (Figure E). Repeat the process for the second Vino Rail.



***IMPORTANT NOTICE:** All installations into drywall require the use of collars and alternate fasteners to properly support the Vino Rails. The VR kits are designed for installation into solid wood surfaces only and Vino Rails are designed to support most 750mL bottles. Any application outside of these parameters is not warranted by VintageView and may result in product and/or installation failure, property damage and/or bodily injury.

Maintenance and Care - The Vino Rails should be regularly checked for tightness. Should any part be found to be loose, tighten by hand until secure. If the face of the wall surface shows signs of breakage, discontinue use immediately until such time as the wall may be adequately repaired. Vino Rails may be cleaned with a damp cloth and mild dish soap - abrasive cleaners, abrasive pads or steel wool should NOT be used as they will damage the finished surfaces of the parts.

