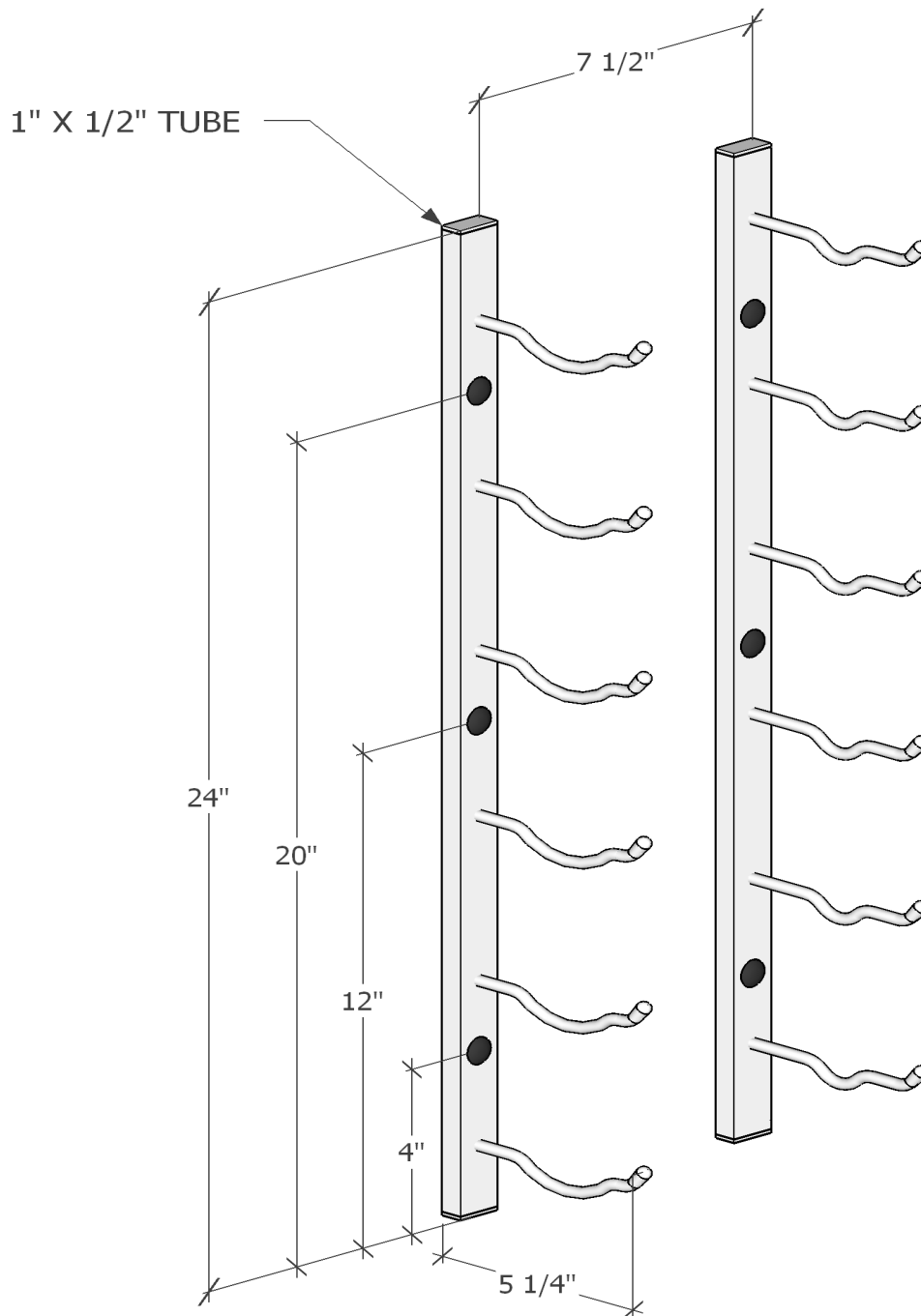


Wall Series 2 foot 1 bottle deep

Spec Sheet for (WS21)



VintageView recommends 13 inches overall width allowance for most wine bottles.



VINTAGEVIEW®
MOVING WINE STORAGE FORWARD

10645 E 47th Ave, Denver, CO 80239 | phone: 866.650.1500 | fax: 866.650.1501 | VintageView.com

For product warranty information, please visit vintageview.com/warranty