



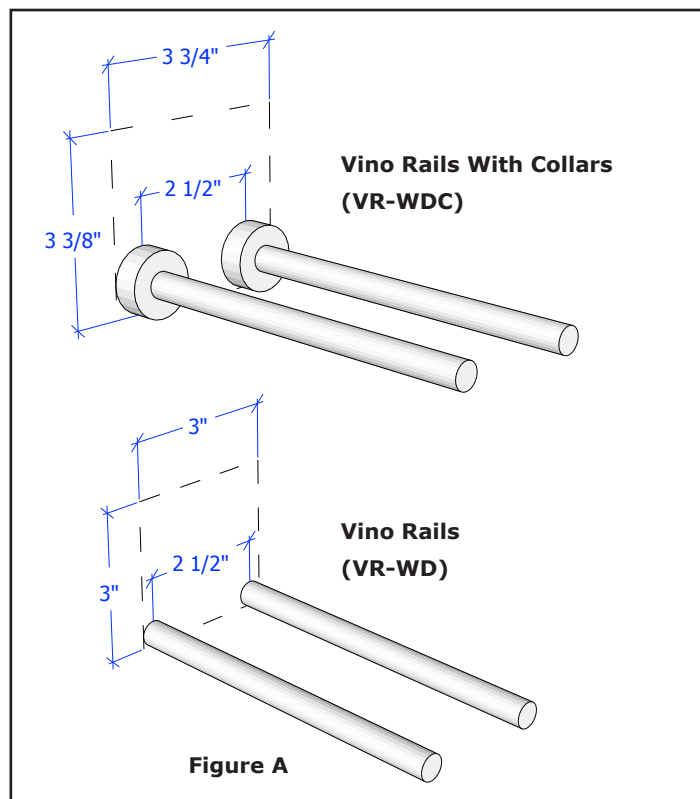
Vino Rails (VR-WD & VR-WDC) Installation Instructions for Wood Surfaces

Starter Kit Included Parts: •2 Vino Rails •2 Machine/Lag Studs •2 Nuts •2 Collars (For VR-WDC kits only)

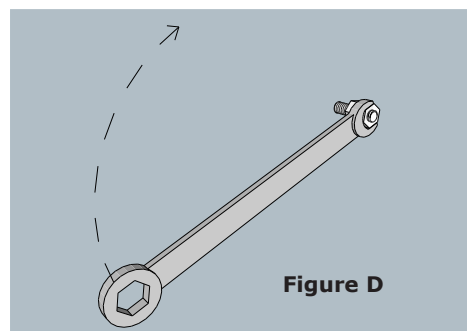
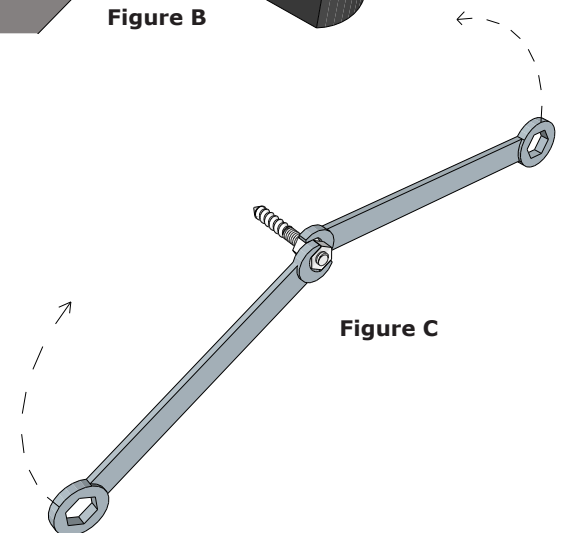
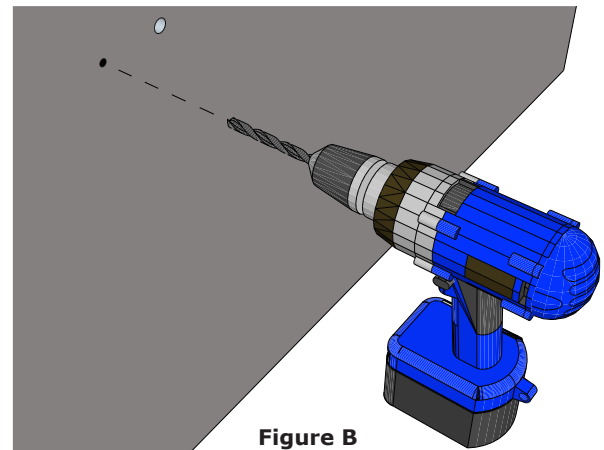
Required tools: •Level •2 X 7/16 inch wrenches •Drill •5/32 inch (4mm) drill bit

Critical Note: These installation instructions are for attaching Vino Rails only to solid wood or plywood surfaces with a minimum thickness of 1/2 inches (12.7mm). If your wall surface does not meet this minimum requirement, please contact your VintageView supplier to obtain appropriate mounting hardware for your wall surface. Installing Vino Rails on wall surfaces that do not meet this minimum criteria may result in failure of the installation and serious damage or injury.

1. Mark the mounting hole locations - Reference Figure A below to verify appropriate minimum clearances around the Vino Rails in the desired installation area. Mark the center-point of the first rail and, using a level to ensure the marks are on the same horizontal plane, mark the center-point of the second rail 2-1/2 inches (63.5mm) away.



2. Install the Machine/Lag studs - Drill a 5/32 inch (4mm) pilot hole at the marked hole locations (Figure B). Thread 2 nuts onto the fine threaded end of one Machine/Lag Studs and using two 7/16" wrenches, tighten the nuts against one another (Figure C). With the nuts tightened against each other, use one wrench on the outer nut and screw the lag end into the pilot hole in the wall. Thread the bolt into the wall until the coarse threads of the lag screw end are no longer visible, leaving just the finer threads exposed (Figure D). Again using 2 wrenches, loosen the nuts and remove them from the fine threaded end of the stud.



3. **Install Rails** - If using the optional collars, slide them over the protruding anchors (Figure E). Screw a Vino Rail clockwise onto an anchor and firmly hand-tighten in place (Figure F). Repeat the process for the second Vino Rail.

