

Wine Master Cellars, LLLP • 10645 E 47th Ave, Denver, CO 80239 • phone: 866.650.1500 • fax: 866.650.1501 • VintageView.com

## Vino Rails (VR-MS & VR-MSC) Installation Instructions for Masonry Surfaces

**Starter Kit Included Parts:** •2 Vino Rails •2 Wedge Anchor Bolts •2 Collars (For VR-MSC kits only)

**Required tools:** •Level •Drill •1/4 inch (6.4mm) masonry drill bit •Hammer

**Critical Note:** These installation instructions are for attaching Vino Rails only to solid masonry or concrete surfaces. If your wall surface does not meet this minimum requirement, please contact your VintageView supplier to obtain appropriate mounting hardware for your wall surface. Installing Vino Rails on wall surfaces that do not meet this minimum criteria may result in failure of the installation and serious damage or injury.

**1. Mark the mounting hole locations** - Reference Figure A below to verify appropriate minimum clearances around the Vino Rails in the desired installation area. Mark the center-point of the first rail and, using a level to ensure the marks are on the same horizontal plane, mark the center-point of the second rail 2-1/2 inches (63.5mm) away.

**2. Install the anchors** - Drill a 1/4 inch (6.4mm) hole 1-1/2 inches (38mm) deep at the marked locations (Figure B). Remove as much of the dust from the holes as possible and push the Wedge Anchors into the holes. Gently tap the anchors into the holes with a hammer leaving approximately 7/8 inch (22mm) of the anchor exposed (Figure C).

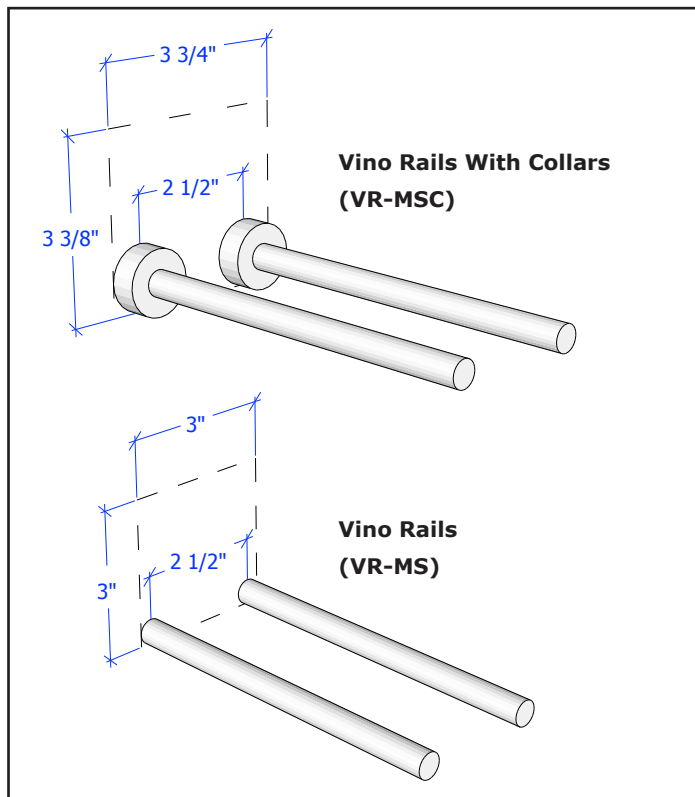


Figure A

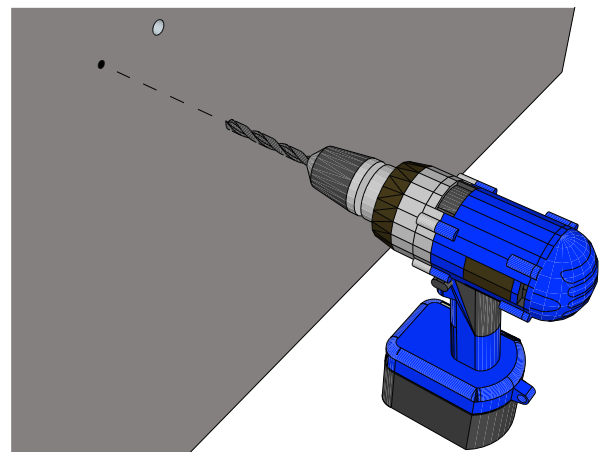


Figure B

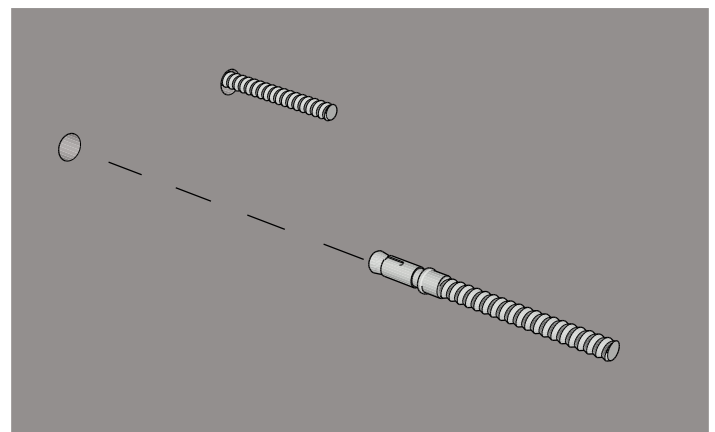


Figure C

**5. Install Rails** - If using the optional collars, slide them over the protruding anchors (Figure D). Screw a Vino Rail clockwise onto an anchor and firmly hand-tighten in place (Figure E). Repeat the process for the second Vino Rail.

